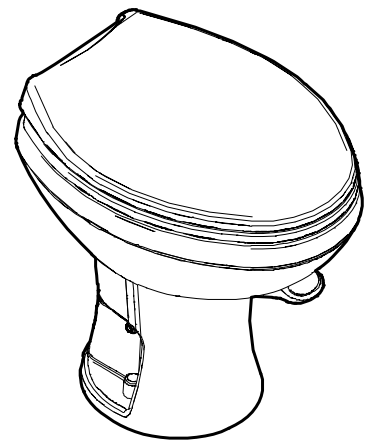
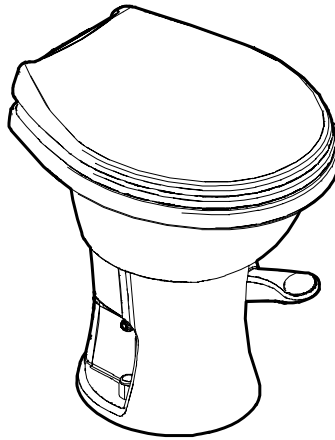
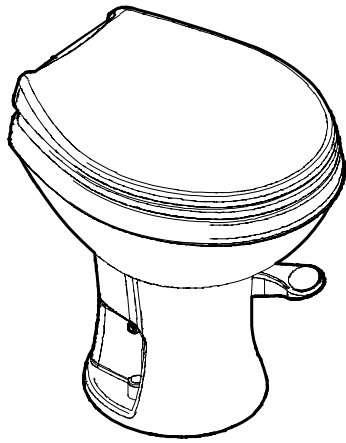




SANITATION

TOILETS



400 series (400/410, 410/411, 420/421)

EN	Gravity-Flush Toilet Installation and Operating Manual.....	3
FR	Toilettes à chasse par gravité Instructions de montage et de service.....	18
ES	Inodoro con descarga por gravedad Instrucciones de montaje y de uso.....	34

WARNING

Handling passenger or off-highway motor vehicle parts can expose you to chemicals such as phthalates and lead, which can cause cancer and reproductive harm. To minimize exposure, service the vehicle in a well-ventilated area, wear gloves, and wash your hands. For more information see www.P65Warnings.ca.gov/motor-vehicle-parts.

Copyright

© 2025 Dometic Group. The visual appearance of the contents of this manual is protected by copyright and design law. The underlying technical design and the products contained herein may be protected by design, patent or pending patent. The trademarks mentioned in this manual belong to Dometic Sweden AB. All rights are reserved.

English

1	Important notes.....	3
2	Explanation of symbols.....	3
3	Safety instructions.....	3
4	Supplemental directives.....	4
5	Scope of delivery.....	4
6	Model identification.....	4
7	Intended use.....	5
8	Installation.....	5
9	Operation.....	8
10	Cleaning and maintenance.....	9
11	Troubleshooting.....	13
12	Warranty.....	14
13	Disposal.....	15
14	Technical data.....	15

1 Important notes

Please read these instructions carefully and follow all instructions, guidelines, and warnings included in this product manual in order to ensure that you install, use, and maintain the product properly at all times. These instructions **MUST** stay with this product.

By using the product, you hereby confirm that you have read all instructions, guidelines, and warnings carefully and that you understand and agree to abide by the terms and conditions as set forth herein. You agree to use this product only for the intended purpose and application and in accordance with the instructions, guidelines, and warnings as set forth in this product manual as well as in accordance with all applicable laws and regulations. A failure to read and follow the instructions and warnings set forth herein may result in an injury to yourself and others, damage to your product or damage to other property in the vicinity. This product manual, including the instructions, guidelines, and warnings, and related documentation, may be subject to changes and updates. For up-to-date product information, please visit documents.dometic.com.

2 Explanation of symbols

A signal word will identify safety messages and property damage messages, and also will indicate the degree or level of hazard seriousness.



WARNING!

Indicates a hazardous situation that, if not avoided, could result in death or serious injury.



CAUTION!

Indicates a hazardous situation that, if not avoided, could result in minor or moderate injury.



NOTICE!

Indicates a situation that, if not avoided, could result in property damage.



NOTE Supplementary information for operating the product.

3 Safety instructions



NOTICE! Damage hazard

Failure to follow the instructions below may cause damage to the product and/or property:

- > Do not make changes to this product.
- > Always turn off the water supply before removing, installing, or repairing the product.
- > Do not use chlorine or harsh chemicals, like laundry bleach or drain-opening products, in the system. These products can harm the seals in toilets and other plumbing valves.
- > Do not flush foreign objects, such as paper towels, paper cups, diapers, or sanitary napkins.
- > Mechanical seal toilets are made to discharge waste directly into a waste holding tank. Do not use horizontal pipe runs, which are common in regular residential or commercial plumbing systems.
- > Clean the toilet bowl regularly and winterize the system. If not, your warranty coverage might be voided.

4 Supplemental directives

To reduce the risk of accidents and injuries, observe the following directives before proceeding to install or operate this appliance:

- Read and follow all safety information and instructions.
- Read and understand these instructions before installing, operating, or performing maintenance on this product.

The installation must comply with all applicable local or national codes, including the latest edition of the following standards:

USA

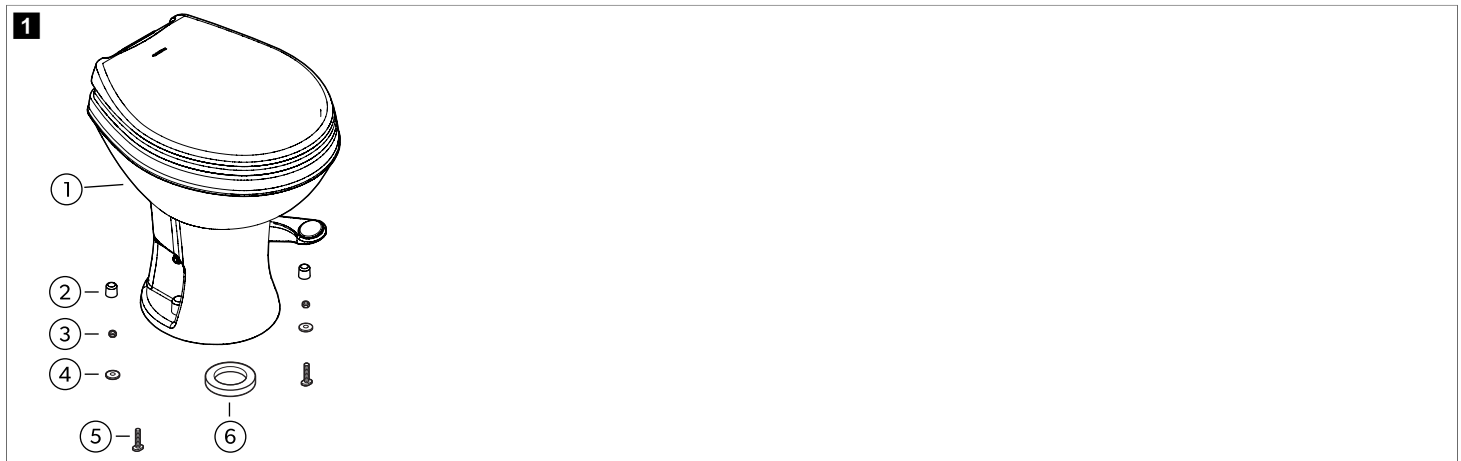
ANSI/NFPA1192, Recreational Vehicles Code

Canada

CSA Z240 RV Series, Recreational Vehicles

5 Scope of delivery

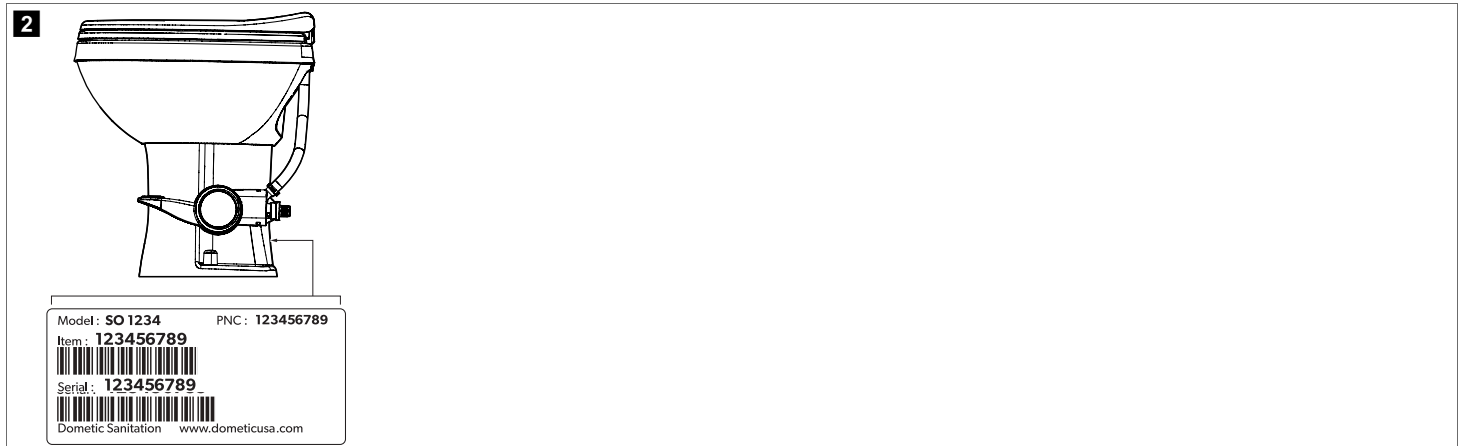
Actual package contents may vary. Refer to the complete parts list at www.dometic.com for more information.



①	Assembled toilet	④	Floor-mounting washer (2)
②	Floor-mounting cap (2)	⑤	Floor-mounting T-bolt (2)
③	Floor-mounting nut (2)	⑥	Floor flange seal

6 Model identification

The toilet model identification label is located on the back of the toilet base. Have the information from this label ready when contacting Dometic for service.



7 Intended use

The Dometic 400 Series Gravity-Flush Toilets are designed for use in recreational vehicles (RVs). These products are lightweight, residential-size toilets for installation directly above a waste holding tank.

This product is only suitable for the intended purpose and application in accordance with these instructions.

This manual provides information that is necessary for proper installation and/or operation of the product. Poor installation and/or improper operating or maintenance will result in unsatisfactory performance and a possible failure.

The manufacturer accepts no liability for any injury or damage to the product resulting from:

- Incorrect installation or assembly
- Incorrect maintenance or use of spare parts other than original spare parts provided by the manufacturer
- Alterations to the product without express permission from the manufacturer
- Use for purposes other than those described in this manual

Dometic reserves the right to change product appearance and product specifications.

8 Installation

8.1 Before starting the installation

This section explains how to replace an existing toilet. If you need to install a new toilet in a spot where there is not already one, be sure to contact a qualified service professional for help.

- > Check if the existing toilet has a flexible water supply line that comes either through the floor or the wall.
If the water supply line comes out from the floor, you will need an elbow adapter kit.
- > Check if the existing toilet is secured to the floor using two bolts that are positioned at a right angle to the back wall.
If your toilet has four bolts, you will need a universal mounting kit in a color that matches your new toilet.



NOTE If you want to change the toilet's orientation (the angle of the toilet in the room), you can either use a universal mounting kit or remove the floor flange and install a new one in the direction you prefer.

- > Check if the existing toilet is even with the floor.
If the flange is installed in the sub-floor, you might need a taller seal than the one that comes with the toilet.
- > Make sure there is enough space for your new toilet. Compare the dimensions for your model listed in Toilet dimensions on page 15 to the measurements listed in Minimum space requirements on page 16. Check the following:
 - The rough-in size (from the centerline of the flange to the back wall)
 - The door swing clearance
 - The foot pedal, when pressed down, makes contact with the same flat surface where the toilet is installed.
- > Empty the waste holding tank.



NOTE An empty waste holding tank makes the installation process more pleasant.

8.2 Tools and materials

Required tools and materials:

- Pliers, adjustable wrench, or torque wrench
- Putty knife
- Screwdriver
- Small bucket

Optional materials:

- 4 - Floor flange screws (8 preferred)
- Caulk (if installed in a wet area)
- Elbow adapter (depends on water supply line)
- Floor flange (replacement flange must match existing flange)
- Universal mounting kit

8.3 Removing an existing toilet



①	Old toilet	⑤	Existing mounting cap
②	Water supply line	⑥	Existing mounting nut
③	Existing floor flange	⑦	Existing mounting washer
④	Existing T-bolts		

1. Turn off the water supply.
2. Disconnect and drain the water supply line.
3. Remove the existing floor-mounting caps, floor-mounting nuts, and floor mounting washers.
4. Lift the existing toilet off the bolts.
5. Remove and discard the existing floor-mounting T-bolts.



①	Putty knife	②	Old seal material
---	-------------	---	-------------------

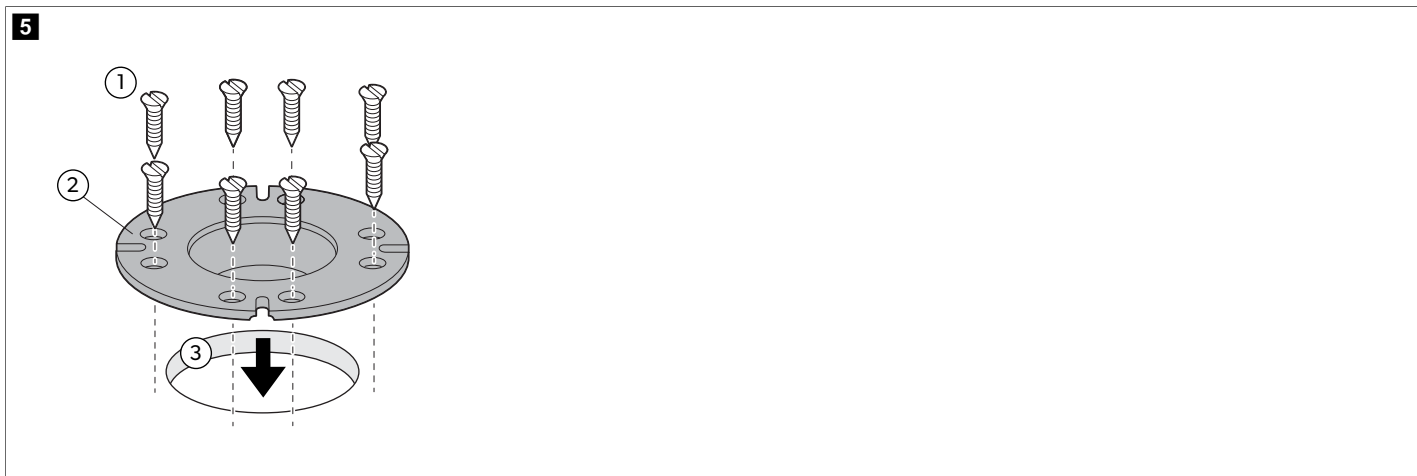
6. Use a putty knife to remove and discard any existing seal material from the floor and the floor flange.
7. Evaluate the floor flange. If it is damaged, remove the floor flange and install a new one. Refer to Mounting a new floor flange on page 6.
8. If you are installing a universal mounting kit, follow the instructions that came with the kit.
9. Make sure the top surface of the floor is clean and free of any debris or sealant.

8.4 Mounting a new floor flange

i **NOTE** If using an existing floor flange, skip to Installing the new toilet on page 7.

1. Remove the existing floor flange by unfastening and discarding the existing screws.
If the floor flange is glued down, you may need more tools to remove it.

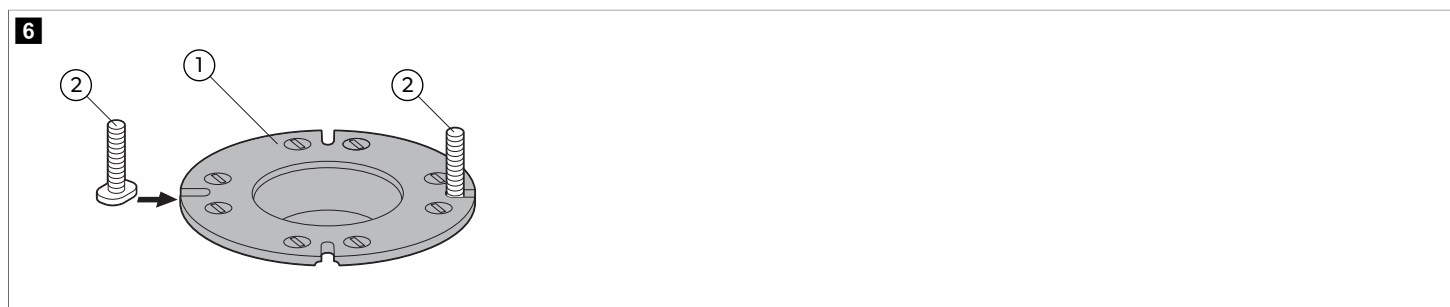
2. Before fastening the new floor flange, refer to Before starting the installation on page 5 to verify:
- The toilet mounting holes are located at your preferred orientation.
 - The center of the floor flange is at least the recommended distance from the back wall for your toilet model.



①	Screws	③	Outlet hole
②	New floor flange		

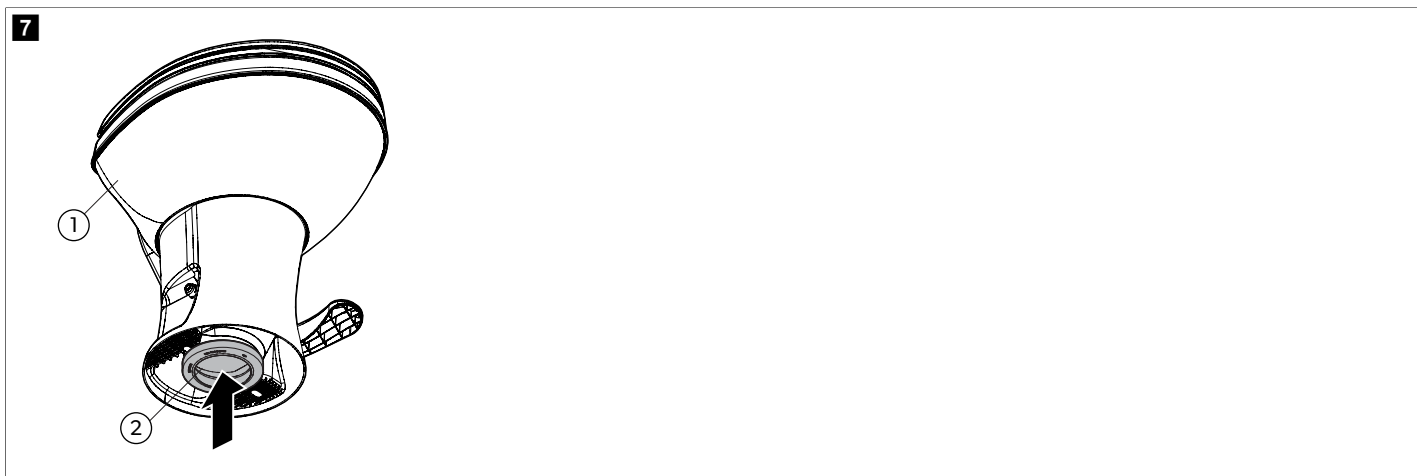
3. Place the new floor flange into the outlet hole and secure it to the floor with a minimum of four screws (eight are preferred).

8.5 Installing the new toilet



①	Floor flange	②	Floor-mounting T-bolt
---	--------------	---	-----------------------

1. Insert the new floor-mounting T-bolts into the slots in the floor flange.



①	Toilet	②	Floor flange seal
---	--------	---	-------------------

2. Install the new floor flange seal to the base of the toilet.
On some models, the floor flange seal is already installed.

3. Carefully position the toilet over the floor flange.



①	Toilet	⑤	Floor-mounting cap
②	Water supply	⑥	Floor-mounting nut
③	Floor flange	⑦	Floor-mounting washer
④	Floor-mounting T-bolts		

4. Align the holes in the toilet base with the floor-mounting T-bolts as you lower the toilet onto the floor flange.



NOTE Be sure the entire outlet drain of the toilet base fits inside the floor flange outlet hole to avoid leaks.



NOTE The toilet base might not rest evenly against the floor yet. The floor flange seal will compress as you complete the installation.

5. Place the new floor-mounting washers and then the new floor mounting nuts onto the floor-mounting T-bolts.
6. Tighten the floor-mounting nuts.
- If a torque wrench is available, tighten them to 3.390 Nm (2.5 ft·lb) ... 4.515 Nm (3.33 ft·lb). Do not overtighten.
 - Alternate tightening between sides to prevent distortion.
 - When the floor-mounting nuts are tight, the base of the toilet should be securely attached and flat against the floor.
7. Attach the floor-mounting caps onto the floor-mounting nuts.



NOTE If the toilet is being installed in a shower stall (or other wet area), apply a bead of caulk around the base of the toilet to prevent water seepage under the base.

8. Connect the water supply line and torque the connection to 3.390 Nm (2.5 ft·lb) ... 4.515 Nm (3.33 ft·lb). Do not overtighten.



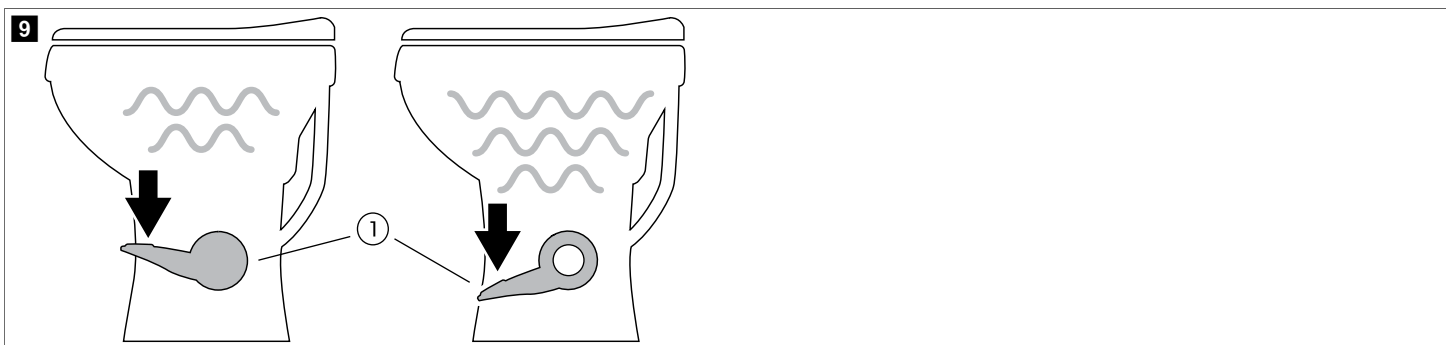
NOTE If the water supply line comes out of the floor, install a 1/2-in (13 mm) elbow fitting or adapter.

9. Turn on the water supply.
10. Flush the toilet several times and check for leaks. Refer to *Flushing the toilet* on page 9.
11. Test for leaks by filling the bowl with water and letting the water sit for an hour.

9 Operation

9.1 Adding water to the bowl

Adding water to an empty bowl helps prevent waste holding tank odors from entering the living space. Adding water is recommended prior to flushing solids and toilet paper.



① Flush pedal

1. To add water to the toilet, depress the flush pedal part way. Water flows into the bowl while the flush ball remains closed.
2. If the flush ball moves, let up on the pedal slightly.

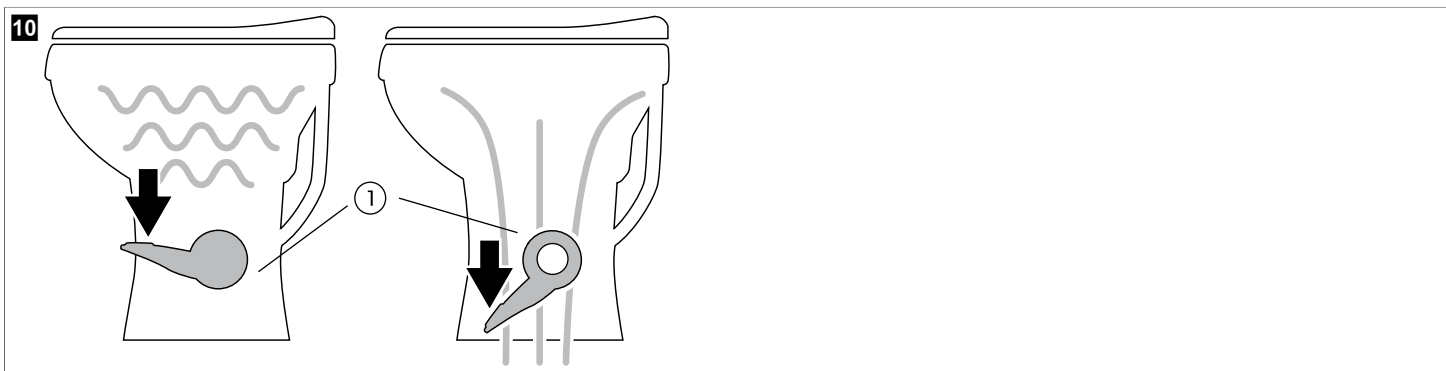
9.2 Flushing the toilet



NOTICE! Damage hazard

Failure to follow these instructions could cause clogging or damage to the toilet or the toilet system.

- > Flush only water, bodily wastes, and rapid-dissolving toilet tissue.
- > Do not flush foreign objects.
- > Do not flush wet wipes, sanitary napkins, diapers, paper cups, cotton swabs, food, hair, or liquids such as oils or solvents.



① Flush pedal

1. To flush, depress the pedal until the flush ball is completely open.
2. Release the pedal after a complete flush, allowing the flush pedal to spring back.
 - When flushing liquids, depress the pedal for about 1–2 seconds.
 - When flushing solids, depress the pedal until the contents of the bowl are rinsed from the bowl. Flushing longer than necessary will cause the waste holding tank to fill too quickly.

A small amount of water will collect in the bowl after a flush to create an airtight seal.



NOTE Residual-water trickle in the ceramic bowls: Due to the integrated rim of the models 410, 411, 420, and 421 toilets, water may continue to trickle into the toilet bowl for up to 20 minutes after flushing. If the water trickle continues after 30 minutes, replace the water valve.



NOTE So that waste holding tank odors do not enter the living space, make sure 1 in (25.4 mm) of water remains in the toilet bowl. Depending on the plumbing system and user operation, it may be necessary to add water to achieve this water depth. Refer to Adding water to the bowl on page 8.

10 Cleaning and maintenance



NOTICE! Damage hazard

Failure to follow these guidelines may damage the product and void the warranty coverage.

- > Do not separate the ceramic bowl from the plastic base.
- > Do not remove the foot pedal from the base. This toilet has a factory-sealed bowl-to-base assembly.
- > Do not disassemble the components.

Properly cleaning, winterizing, and maintaining your toilet will increase its lifespan.

The toilet does not need to be removed from the vehicle (or unfastened from the floor) for basic repairs, like the flush ball seal replacement and water valve replacement.

If you need to contact Dometic for help, have the exact model number available. Refer to *Model identification* on page 4.

10.1 Maintenance kits and materials

The following maintenance kits are available:

- 400/410/420 series toilet water valve replacement kit
- Flush ball seal replacement kit
- Vacuum breaker kit



NOTE Refer to *Serviceable parts* on page 17.

The following materials are recommended for cleaning:

- Valterra Pure Power® Toilet Bowl Cleaner
- Soft bristle brush
- Rubbing alcohol (400/401 only)

Nontoxic antifreeze (propylene glycol) is recommended for winterization/storage.

The following materials are optional for troubleshooting:

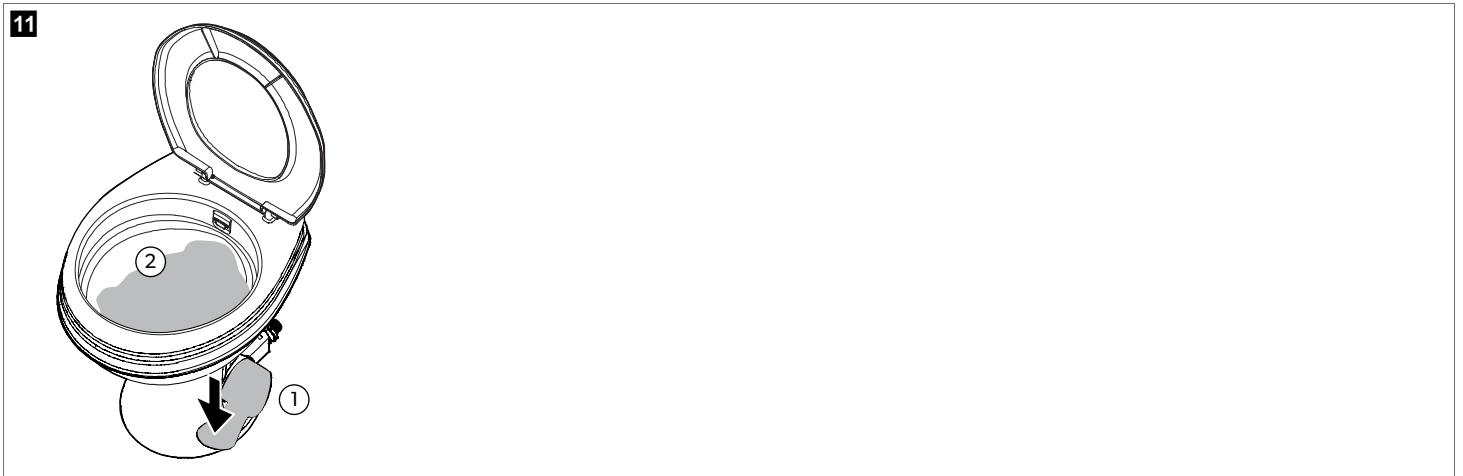
- Valterra Pure Power® Holding Tank Deodorant
- Silicone grease

10.2 Performing routine toilet cleaning

- > For routine cleaning, use Valterra Pure Power® Toilet Bowl Cleaner. Follow the label instructions.
 - If this cleaning agent cannot be found in your area, contact Dometic for your nearest dealer.
 - If the cleaning agent is not available, use a non-abrasive bathroom and toilet bowl cleaning agent.
- > For stubborn stains on model 400 and 401 toilet bowls, carefully use rubbing alcohol to wipe and remove the stain.

10.3 Cleaning the flush ball and seal

After a period of time, mineral deposits from hard water may build up on the flush ball or seal, resulting in a slow water leak. To prevent this, periodically clean the flush ball and seal.



①	Flush pedal	②	Flush ball seal
---	-------------	---	-----------------

1. Remove minor debris from the flush ball and seal by slowly depressing and releasing the flush pedal several times. Repeat this step several times for stubborn buildup. This action loosens and rinses debris from the surfaces.

2. If the ball and seal are not fully clean after completing step 1, clean with a soft bristle brush and Valterra Pure Power® Toilet Bowl Cleaner.
- Fully clean the top of the flush ball and under the seal where it contacts the flush ball.
 - After cleaning the underside of the seal, apply light, downward pressure to the top of the seal while brushing around the full perimeter of the seal.



NOTE If this procedure does not correct a leaking seal, the seal may require replacement. Detailed replacement instructions are included with the replacement flush ball seal kits.

10.4 Winterizing and storing the toilet



WARNING! Poison hazard

Failure to obey this warning could result in death or serious injury.
Do not use automotive-type antifreeze (ethylene glycol) in freshwater systems.



CAUTION! Bodily harm hazard

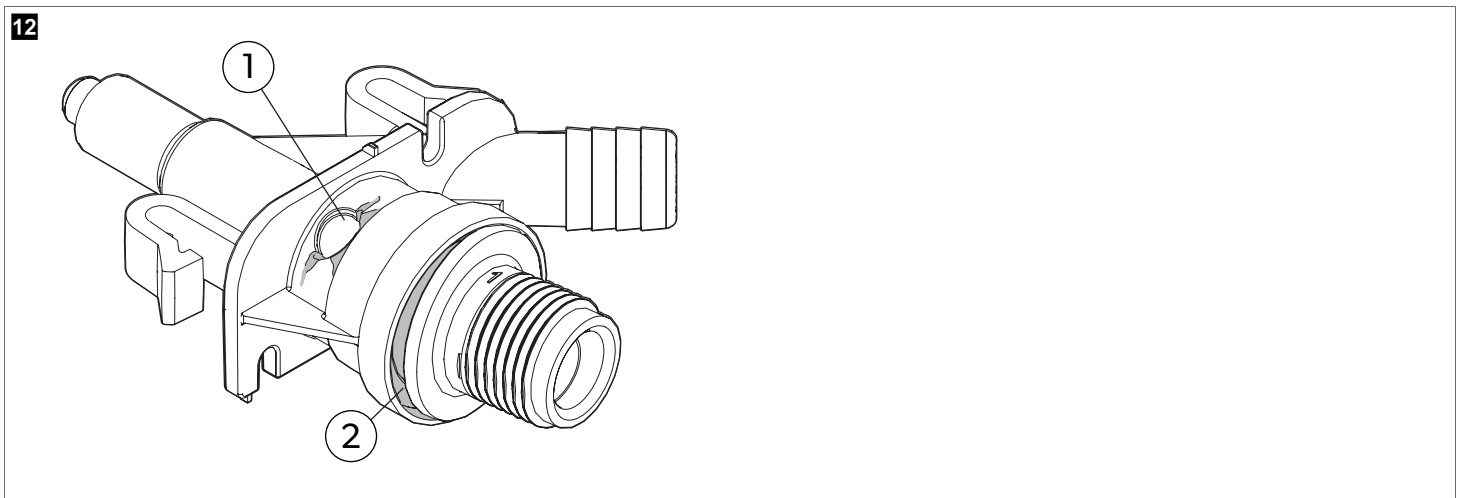
Failure to obey this warning could result in death or serious injury.
This toilet is not intended for use when exposed to temperatures below freezing.



NOTICE! Damage hazard

The toilet warranty expressly excludes coverage for any damages to the toilet or the vehicle that may occur due to improper winterization of the toilet. Freeze damage that results in leaks to the water valve is an indicator of improper winterization.
Ensure the toilet is properly winterized.

10.4.1 Preventing a frozen water valve



①	Freeze damage indicator window	②	Water valve damage
---	--------------------------------	---	--------------------

These toilet water valves exceed the applicable standards for maximum water pressure as defined by the North American plumbing code agencies. However, if trapped water freezes in the piping that supplies water to the toilet, the ice can expand creating extremely high pressure that can damage the valve.

If the freeze-damage indicator window has white stress marks, freeze damage is indicated. Water valve damage is due to severe exposure to below-freezing temperatures.

To avoid damage, winterize the toilet as described in this manual. If freeze damage occurs as a result of improper winterization, replace the water valve with a 400 series toilet water valve kit.

If the water valve is returned for a warranty claim, Dometic reserves the right to deny the claim if the problem is caused by freeze damage.



NOTE Use nontoxic antifreeze (propylene glycol) designated for potable water systems.

When a toilet may be exposed to temperatures below freezing, the toilet must be winterized using one of the following methods: Winterizing using nontoxic antifreeze on page 11 or Winterizing by draining the toilet on page 12. When a toilet is stored for long periods of time, or the water becomes stagnant, flush the system. Refer to Winterizing by draining the toilet on page 12.

10.4.2 Winterizing using nontoxic antifreeze



NOTE This is the recommended method.

1. Pour nontoxic antifreeze into the potable water tank according to the instructions from the antifreeze manufacturer.

- Flush the toilet (several times) until the antifreeze has flowed completely through the toilet.



NOTE For toilets with a hand sprayer, the hand sprayer must be turned on for the antifreeze to circulate completely through the hand sprayer.

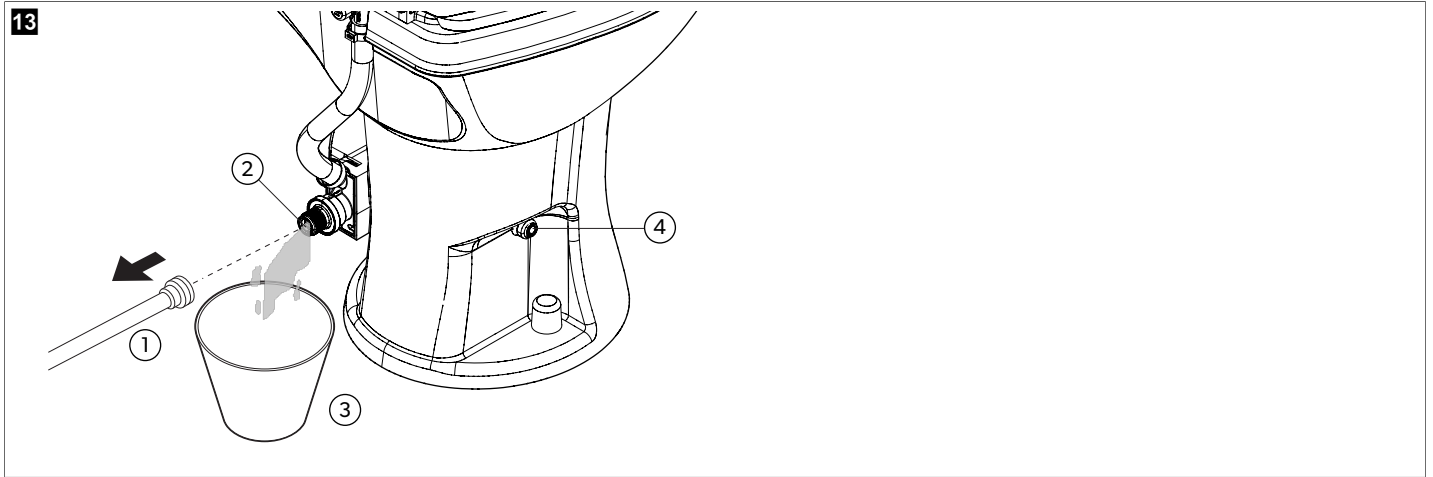
10.4.3 Winterizing by draining the toilet



NOTICE! Damage hazard

Do not leave the RV unoccupied for extended periods of time with a municipal water supply connected, or with the onboard water pump turned on, when there is a possibility of freezing temperatures.

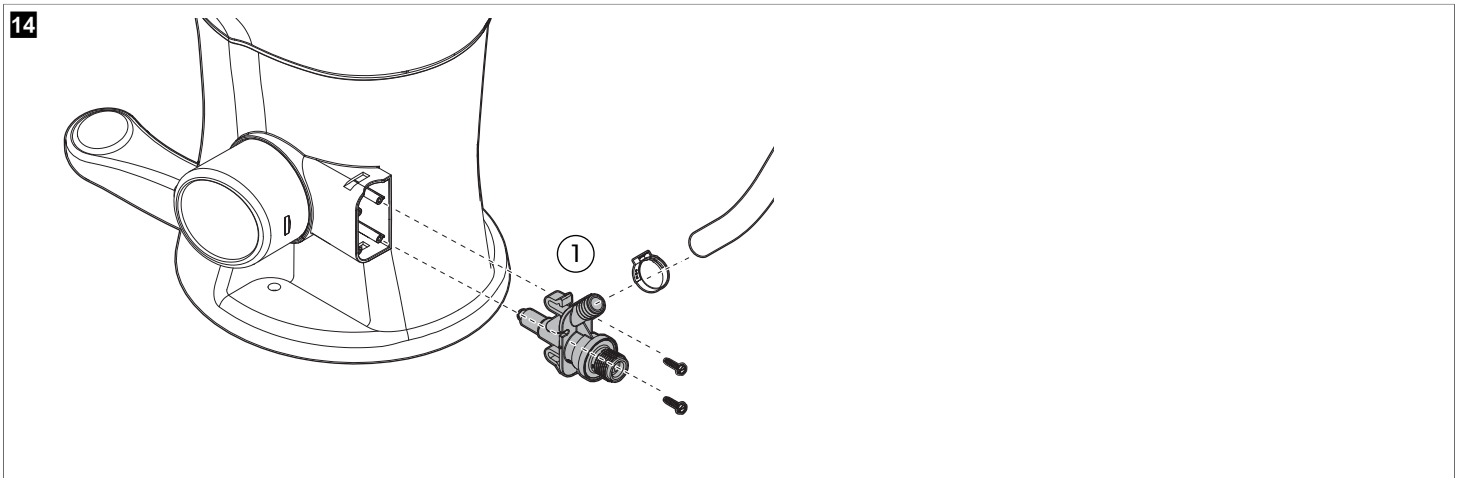
- Turn off the water supply to the toilet.



①	Water supply line	③	Small bucket
②	Water inlet valve	④	Pivot point for the ball pivot arm

- Remove the water supply line from the water valve.
- Place a small bucket under the water valve inlet to catch draining water.
- Depress the flush pedal and allow water to completely drain from the water valve and vacuum breaker.
- Leave the water line disconnected until the threat of freezing temperatures is past.

10.5 Replacing the water valve



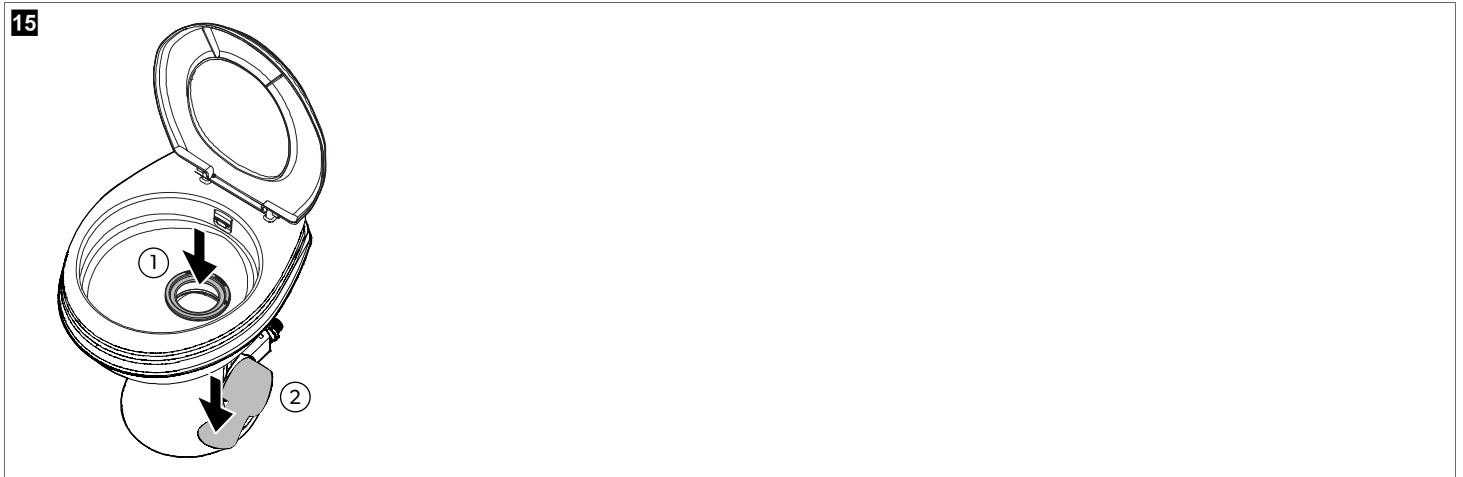
①	Water inlet valve assembly
---	----------------------------

Refer to the detailed replacement instructions in the water valve replacement kit before removing or installing a water valve assembly.

10.6 Reconditioning the flush ball seal

Each toilet is factory-tested to assure a watertight seal in the toilet bowl. This quality-assurance testing process requires a device to hold the flush ball open, which may temporarily distort the flush ball seal from its original shape. As a result, the flush ball seal may leak water into the waste holding tank during normal use.

If you discover a water leak into the waste holding tank, recondition the flush ball seal into its original shape.



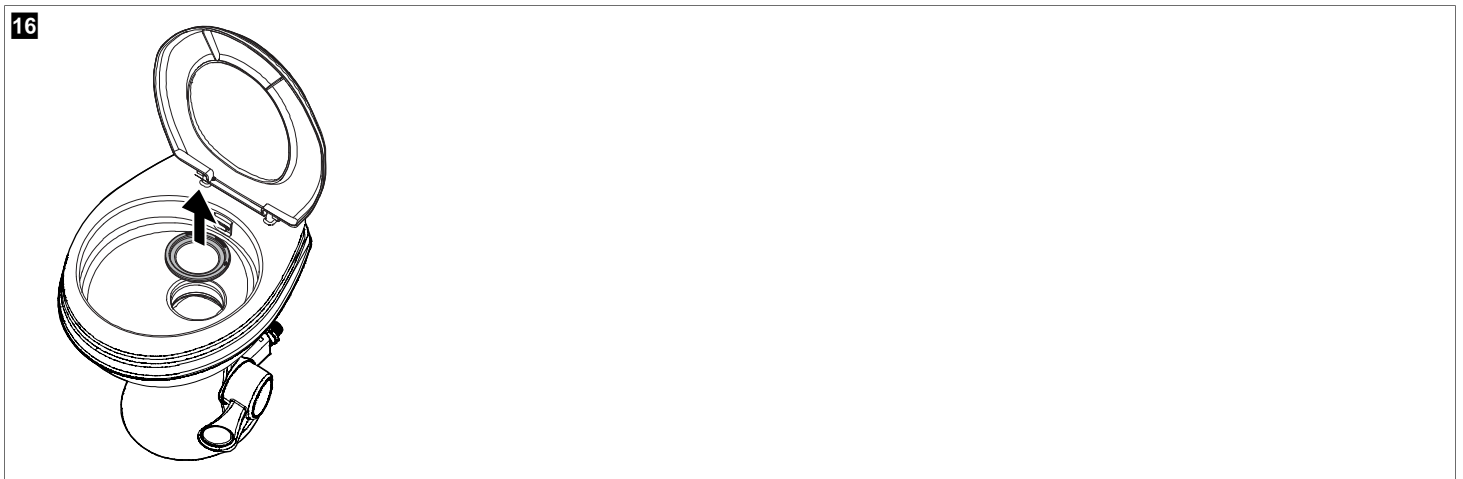
①	Flush ball seal	②	Flush pedal
---	-----------------	---	-------------

1. Depress the pedal to hold the flush ball open; then lightly press down around the edge of the seal with a finger to conform the seal to the flush ball.
2. Release the pedal.
3. Keep the flush ball closed and pour 0.24 gal (0.9 L) of hot tap water into the toilet bowl.
4. Let the water cool completely.



NOTE If the toilet does not hold water in the bowl, refer to Troubleshooting on page 13 before you replace the flush ball seal.

10.7 Replacing the flush ball seal



Refer to the detailed replacement instructions in the flush ball seal replacement kit before removing or installing the seal.

11 Troubleshooting

Problem	Possible cause	Suggested remedy
Water will not stay in the bowl.	The flush ball seal is not properly positioned.	Reposition the flush ball seal. Refer to Reconditioning the flush ball seal on page 13.
	The flush ball seal's shape is temporarily distorted.	Verify that the flush ball seal is properly seated. Refer to Reconditioning the flush ball seal on page 13.

Problem	Possible cause	Suggested remedy
	The flush ball or flush ball seal is dirty.	Clean and seal the flush ball. Refer to Cleaning the flush ball and seal on page 10.
	The flush ball seal is worn or defective.	Replace the flush ball seal. Refer to the instructions included with the flush ball seal replacement kit.
Water flow into the toilet will not stop.	The water valve is worn or defective.	Replace the water valve. Refer to Replacing the water valve on page 12.
Water does not enter the toilet bowl properly.	There is an insufficient water flow rate at the toilet inlet.	Make sure the flow rate at the toilet inlet is the recommended rate: 3 gpm ... 5 gpm (11.36 L/min ... 18.93 L/min).
	The screen at the water valve inlet is clogged.	Clean the inlet side of the screen using a cotton swab or an old toothbrush. Do not disassemble the valve.
	The water valve is worn or damaged.	Replace the water valve. Refer to Replacing the water valve on page 12.
	There are plugged rim wash holes or a plugged rim jet (400 series only) in the toilet.	Clean the rim wash holes or rim jet.
Odor emits from the toilet when the flush ball is open.	The waste holding tank vent is plugged.	Clear obstructions from the vent. Refer to the tank owner's manual.
	The odor is from the waste holding tank contents.	Add deodorant to the waste holding tank.
Odor emits from the toilet when the flush ball is closed.	There is no water in the bowl.	Add water to the bowl. Refer to Adding water to the bowl on page 8.
	The flush ball seal is damaged.	Replace the flush ball seal. Refer to the instructions included with the flush ball seal replacement kit.
	The floor flange seal is damaged.	Replace the floor flange seal. Refer to Removing an existing toilet on page 6 and Installing the new toilet on page 7, using the existing toilet and a new seal throughout the procedures.
The flush ball will not close completely.	There is too much friction between the flush ball and the seal.	Clean and lubricate the flush ball and flush ball seal with silicone grease or furniture polish.
The hand sprayer leaks.	The hand sprayer is defective.	Replace the hand sprayer. Refer to the hand sprayer owner's manual.
Water is leaking from the water valve.	The water line connection is loose or not seated properly.	Make sure that the threads are not cross-threaded and tighten the connection.
	The water valve is damaged or defective.	Replace the water valve. Refer to Replacing the water valve on page 12.
Water is leaking from the toilet base.	The toilet is not secured to the floor.	Tighten the toilet mounting bolts. Refer to Installing the new toilet on page 7.
	The floor flange seal is worn or defective.	Replace the floor flange seal. Refer to Removing an existing toilet on page 6 and Installing the new toilet on page 7, using the existing toilet and a new seal throughout the procedures.
Water is leaking from the rear of the toilet.	There is a loose vacuum breaker.	<ul style="list-style-type: none"> > Make sure the vacuum breaker stem is pushed fully into the sealing grommet in the back of the bowl (410 and 420 series), or into the nozzle hose (400 series). > Remove the vacuum breaker stem, clean, and reinsert.
	The vacuum breaker is damaged or defective.	Replace the vacuum breaker. Follow the instructions provided with the new vacuum breaker.
	The supply hose is damaged or defective.	<ul style="list-style-type: none"> > Tighten the supply hose clamps. > Replace the supply hose.
	The toilet bowl is cracked or defective.	Replace the toilet.

12 Warranty

Refer to the sections below for information about warranty and warranty support in the US, Canada, and all other regions.

United States and Canada

2-year(s) limited warranty available at qr.dometic.com/bfneEw. If you have questions, or to obtain a copy of the limited warranty free of charge, contact:

DOMETIC CORPORATION
SANITATION CUSTOMER SUPPORT CENTER
13128 STATE ROUTE 226
BIG PRAIRIE, OHIO, USA 44611

1-800-321-9886

All other regions

The statutory warranty period applies. If the product is defective, please contact the manufacturer's branch in your country (see dometic.com/dealer) or your retailer.

For repair and warranty processing, please include the following documents when you send in the device:

- A copy of the receipt with purchasing date
- A reason for the claim or description of the fault

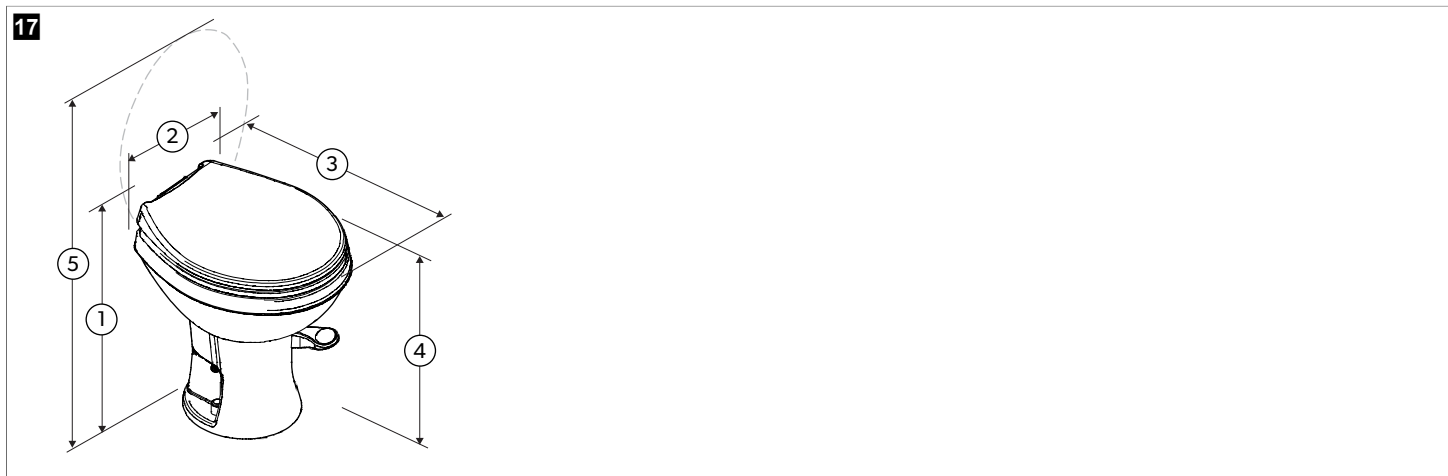
Note that self-repair or nonprofessional repair can have safety consequences and might void the warranty.

13 Disposal

Place the packaging material in the appropriate recycling waste bins, wherever possible. Consult a local recycling center or specialist dealer for details about how to dispose of the product in accordance with applicable national and local disposal regulations.

14 Technical data**14.1 Product composition**

Toilet bowl	Vitreous ceramic (models 410, 411, 420, 421); polypropylene (models 400, 401)
Toilet seat	Polypropylene
Flush ball seal	Nitrile butyl rubber
Toilet base	Polypropylene
Foot pedal	Polypropylene
Water valve	Polypropylene
Vacuum breaker	ABS/polypropylene
Floor seal	Nitrile rubber, foam

14.2 Toilet dimensions

①	Height	④	Seat height
②	Width	⑤	Seat open height
③	Depth		

14.2.1 Standard-height toilet dimensions

	400 model in (mm)	410 model in (mm)	420 model in (mm)
①	19.75 in (501.6 mm)	19.75 in (501.6 mm)	19.5 in (495.3 mm)

	400 model in (mm)	410 model in (mm)	420 model in (mm)
②	15 in (381 mm)	15 in (381 mm)	15 in (381 mm)
③	17.75 in (450.8 mm)	17.75 in (450.8 mm)	19 in (482.6 mm)
④	18 in (457.2 mm)	18 in (457.2 mm)	18 in (457.2 mm)
⑤	35.75 in (908.0 mm)	35.75 in (908.0 mm)	37.75 in (958.8 mm)
Rough in	Minimum: 7.625 in (193.675 mm), Recommended: 8 in (203.2 mm)		

14.2.2 Low-profile toilet dimensions

	401 model in (mm)	411 model in (mm)	421 model in (mm)
①	15.25 in (387.3 mm)	15.25 in (387.3 mm)	15.25 in (387.3 mm)
②	15 in (381 mm)	15 in (381 mm)	15 in (381 mm)
③	17.75 in (450.8 mm)	17.75 in (450.8 mm)	19 in (482.6 mm)
④	18 in (457.2 mm)	13.63 in (346.2 mm)	13.63 in (346.2 mm)
⑤	31.25 in (793.8 mm)	31.38 in (797.1 mm)	32.5 in (825.5 mm)
Rough in	Minimum: 7.625 in (193.675 mm), Recommended: 8 in (203.2 mm)		

14.3 Minimum space requirements



①	Minimum: 7.625 in (193.675 mm), Recommended: 8 in (203.2 mm)	⑤	Left wall
②	11 in (279.4 mm)	⑥	Back wall
③	11 in (279.4 mm)	⑦	Right wall
④	Floor flange		

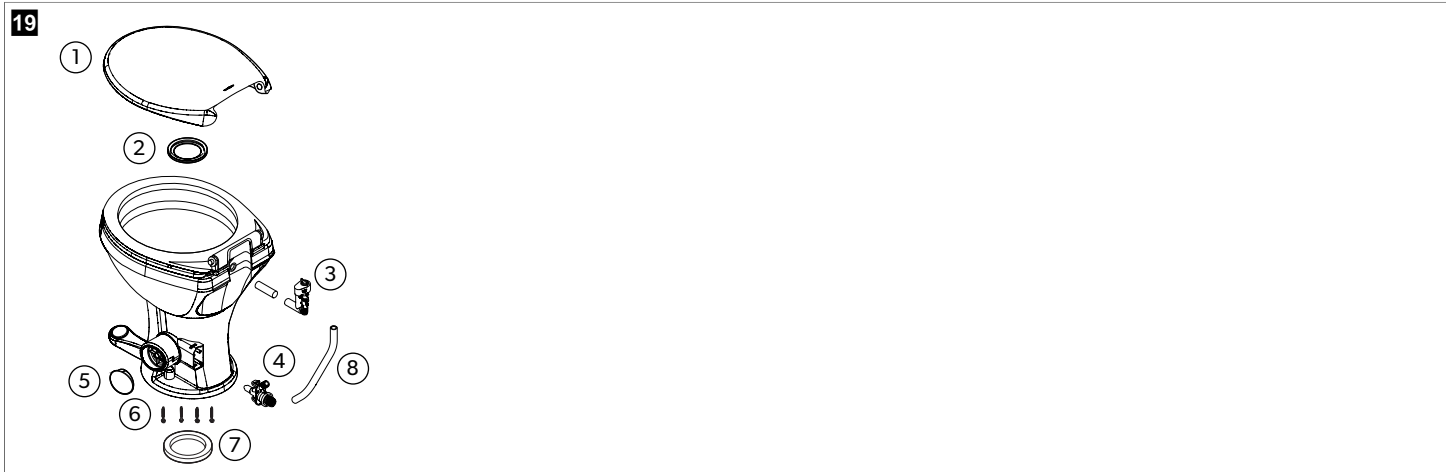
14.4 Specifications



NOTE A water supply that exceeds 5 gpm (18.93 L/min) may require a flow restrictor at the toilet inlet.

Water supply fitting	0.5 in NPT
Static water pressure	30 psi ... 100 psi
Recommended flow rate	2.5 gpm ... 4 gpm (9.46 L/min ... 15.14 L/min)
Minimum flow rate	2 gpm (7.57 L/min)
Discharge floor flange ID	3 in (76.2 mm)
Discharge floor flange thickness	0.25 in ... 0.44 in (6.4 mm ... 11.2 mm)

14.5 Serviceable parts



①	Toilet seat	⑤	Pedal cover
②	Flush ball seal	⑥	Floor-mounting T-bolt
③	Vacuum breaker	⑦	Floor flange seal
④	Water valve	⑧	Water supply hose