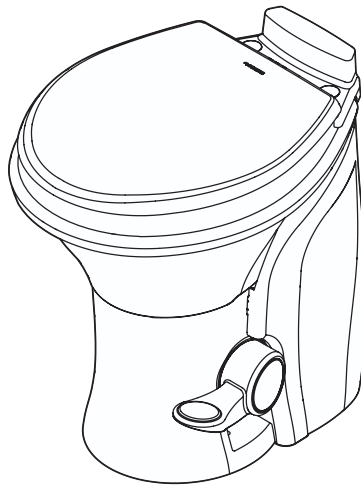


↗ DOMETIC

SANITATION

TOILET



MasterFlush® 7600 Series

EN **Macerator Toilet**
Installation and Operation Manual 2

FR **Cuvette de toilette à pompe dilacératrice**
Manuel d'installation et d'utilisation 14

| |
|--|
| ⚠ WARNING |
| Cancer and Reproductive Harm www.P65Warnings.ca.gov |



Service Center & Dealer Locations

Visit: www.dometic.com

Read these instructions carefully. These instructions **MUST** stay with this product.

Contents

1 Explanation of Symbols and Safety Instructions 2

1.1 Recognize Safety Information 2

1.2 Understand Signal Words 2

1.3 Supplemental Directives 2

1.4 General Safety Messages 3

2 General Information 3

2.1 Model Identification 4

2.2 Component Locations 4

3 Intended Use 5

4 Specifications 5

4.1 Component Materials 5

4.2 Installation Requirements 5

4.3 Toilet Dimensions 6

4.4 Rough-In Dimensions 6

5 Wiring Diagram 7

6 Installation 7

6.1 Preparing to Install the Toilet 7

6.2 Removing an Existing Toilet 7

6.3 Installing the Toilet 8

7 Operation 10

7.1 Adding Water to the Bowl 10

7.2 Flushing the Toilet 11

7.3 Changing the Flush Settings 11

7.4 Understanding the Full Tank Indicator 11

8 Maintenance 11

8.1 Cleaning 11

8.2 Routine Maintenance 12

8.3 Winterizing 12

9 Troubleshooting 13


10 Disposal 13

11 Warranty Information 13

1 Explanation of Symbols and Safety Instructions


This manual has safety information and instructions to help you eliminate or reduce the risk of accidents and injuries.


1.1 Recognize Safety Information


 **This is the safety alert symbol.** It is used to alert you to potential physical injury hazards. Obey all safety messages that follow this symbol to avoid possible injury or death.

1.2 Understand Signal Words


A signal word will identify safety messages and property damage messages, and also will indicate the degree or level of hazard seriousness.

 **DANGER!**
Indicates a hazardous situation that, if **not** avoided, will result in death or serious injury.

 **WARNING**
Indicates a hazardous situation that, if **not** avoided, could result in death or serious injury.

 **CAUTION**
Indicates a hazardous situation that, if **not** avoided, could result in minor or moderate injury.

NOTICE: Used to address practices **not** related to physical injury.

 Indicates additional information that is **not** related to physical injury.

1.3 Supplemental Directives

To reduce the risk of accidents and injuries, please observe the following directives before proceeding to install, operate, or service this appliance:

- Read and follow all safety information and instructions.

- Read and understand these instructions before installing, operating, or servicing this product.
- The installation must comply with all applicable local or national codes, including the latest edition of the following standards:

U.S.A.

- ANSI/NFPA70, National Electrical Code (NEC)
- ANSI/NFPA 1192, Recreational Vehicles Code
- ANSI Z21.57, Recreational Vehicles Code

Canada

- CSA C22.1, Parts I & II, Canadian Electrical Code
- CSA Z240 RV Series, Recreational Vehicles

1.4 General Safety Messages

⚠ WARNING: ELECTRICAL SHOCK, FIRE, AND/OR EXPLOSION HAZARD. Failure to obey the following warnings could result in death or serious injury.

- Turn the power off before performing any electrical installation or maintenance activities.
- Use care when diagnosing and/or adjusting components on a powered unit.
- Use only Dometic replacement parts and components that are specifically approved for use with the appliance.
- Avoid improper installation, adjustment, alterations, service, or maintenance of the appliance. Service and maintenance **must** be done by a qualified service person only.
- Do **not** modify this product in any way. Modification can be extremely hazardous.
- Do **not** overfill the holding tank. To reduce this possibility, use the full-tank shut-down circuitry in the toilet's electronic control module. An optional Dometic tank monitor system can generate a full-tank signal and disable flushing until the holding tank is emptied. Overfilling the holding tank can cause serious damage to the sanitation system, such as rupturing the holding tank and releasing tank contents into the motorhome.

2 General Information

This section provides information on the tooling and parts for the MasterFlush® 7600 Series toilet.

- i** The images used in this document are for reference purposes only. Components and component locations may vary according to specific product models. Measurements may vary ± 0.38 in. (10 mm).

| Included Kits | Quantity |
|--|----------|
| Mounting Hardware Kit (Floor Flange or Remote) | 1 |
| MasterFlush 7600 Series Toilet | 1 |

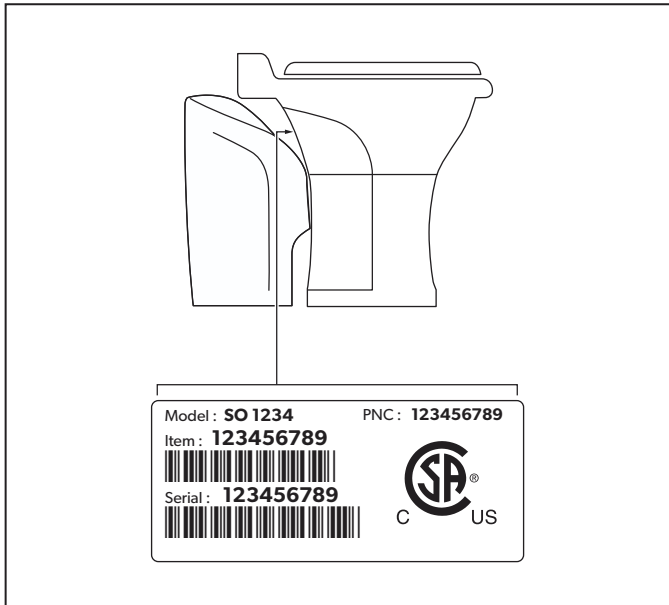
| Recommended Tools | |
|-----------------------------|-----------------------------|
| Pliers or Adjustable Wrench | Drill |
| 7/16 in. (11 mm) Wrench | Electrical Connection Tools |

Optional Parts

The MasterFlush 7600 Series toilet can be connected to one of several Dometic holding tank monitoring systems to offer accurate, continuous tracking of tank capacity. Contact the Dometic Customer Support Center or www.dometic.com for more information.

2.1 Model Identification

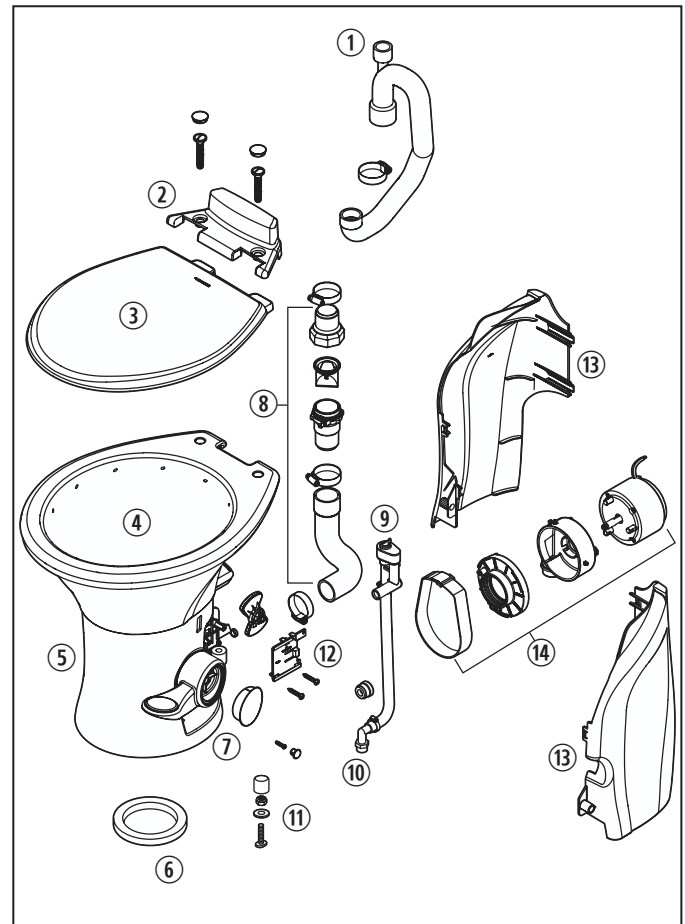
The toilet model identification label is located on the toilet base under the water valve. Have this information ready before contacting Dometic for service.



1 Model Identification Example

2.2 Component Locations

This section identifies the toilet components.



2 Component Locations

- | | |
|--|--|
| ① Anti-Siphon Valve/ Upper Discharge Tube | ⑨ Vacuum Breaker/ Bowl Supply Hose |
| ② Vacuum Breaker Cover | ⑩ Water Valve |
| ③ Toilet Seat | ⑪ Floor Flange Mounting Option Hardware Kit ¹ |
| ④ Toilet Bowl | ⑫ Control Module |
| ⑤ Toilet Base | ⑬ Pump/Base Cover |
| ⑥ Floor Flange Seal | ⑭ Macerator Pump/Mounting Assembly |
| ⑦ Flush Pedal Assembly | |
| ⑧ Discharge Pipe/ Trap Assembly | |

¹ Not shown: Remote Mounting Option Hardware Kit.

3 Intended Use

The MasterFlush 7600 Series toilet (hereinafter referred to as “MasterFlush”) is an electric-flush toilet that macerates waste and pumps it to a holding tank or other effluent storage/disposal system. The MasterFlush provides the following benefits:

- A convenient electronic flush feature adds water or flushes by pressing on the flush pedal.
- Two water consumption flush settings offer flexibility. The normal flush uses 0.8 gal (3 L) and adds water to the bowl after a flush. The dry bowl uses 0.2 gal (0.8 L) and does not add water to the bowl.
- A versatile installation location offers flexibility. The powerful macerator pump allows the toilet to be located up to 40 ft (12.2 m) away from the holding tank or other discharge line destination (remote installation method).
- The automatic full-tank shut-down safety feature helps avoid motorhome damage. When connected to a holding tank level indication system, the toilet will not flush when the holding tank is full and prevents overfilling the tank.

The manufacturer accepts no liability for damage in the following cases:

- Faulty assembly or connection
- Damage to the product resulting from mechanical influences and excess voltage
- Alterations to the product without express permission from the manufacturer
- Use for purposes other than those described in the operating manual

Dometic Corporation reserves the right to modify appearances and specifications without notice.

4 Specifications

The following section provides the materials, installation requirements, and toilet rough-in dimensions.

4.1 Component Materials

| | |
|----------------------------|----------------------------|
| Toilet Seat | Enameled Wood |
| Toilet Bowl | Vitreous Ceramic |
| Toilet Base | Polypropylene |
| Flush Pedal | Polypropylene |
| Macerator Pump Body | Glass-Filled Polypropylene |
| Water Valve | Polypropylene |
| Vacuum Breaker | ABS/Polypropylene |
| Floor Flange Seal | Nitrile Rubber, Foam |

4.2 Installation Requirements

The following tables list the MasterFlush electrical, water supply, discharge options, and rough-in dimensions.

4.2.1 Electrical

| | |
|-----------------------------|--|
| Power draw | 15 A/12 VDC |
| Circuit breaker/fuse | 20 A/12 VDC |
| Wiring | Refer to ANSI/RVIA LV and NFPA 70/NEC Standards for the recommended wire gauge (USA). Refer to CEC I and II Standards for the recommended wire gauge (Canada). |

4.2.3 Water Supply

| | |
|------------------------|---|
| Fitting | 0.5 in. (13 mm) NPT |
| Flow Rate | 3–5 gpm (11.4–18.9 lpm) recommended* 2 gpm (9.5 lpm) minimum |
| Static Pressure | 30–100 PSI (207–690 kPa) |

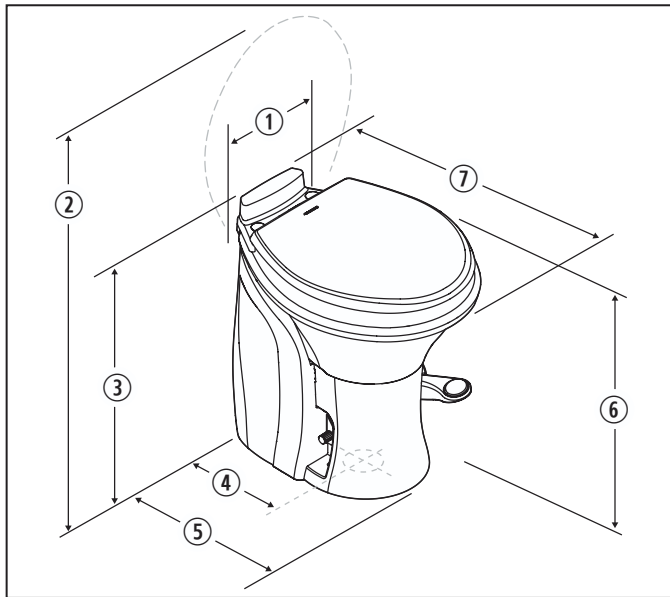
*A water supply that exceeds 5 gpm (18.9 lpm) may require a flow restrictor at the toilet inlet.

4.2.4 Discharge Options

| | |
|--|--|
| Floor Flange Option | Floor flange 3 in. (76 mm) ID; 0.25–0.4 in. (6–11 mm) thick |
| Remote Option (not mounted on the flange directly above the waste tank) | Sanitation hose size 1.5 in. (38 mm) or 1 in. (25 mm) ID Horizontal hose run 40 ft (12.2 m) maximum** |

**Check for an adequate discharge flow if the installation nears this distance. Refer to ANSI 1192 and Z240 RV Series standards, where applicable, for additional RV toilet installation guidelines. Specifications are subject to change without notice.

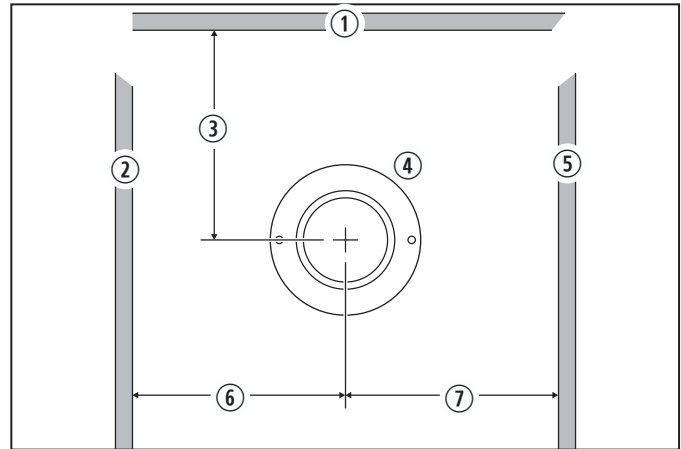
4.3 Toilet Dimensions



3 Toilet Dimensions and Clearances

- ① 15 in. (381 mm)
- ② 33.9 in. (860 mm) seat lid up
- ③ 20 in. (508 mm)
- ④ 10 in. (254 mm) rough-in
- ⑤ 14.8 in. (375 mm) back to front of base
- ⑥ 18.4 in. (467 mm) seat height
- ⑦ 19 in. (483 mm)

4.4 Rough-In Dimensions

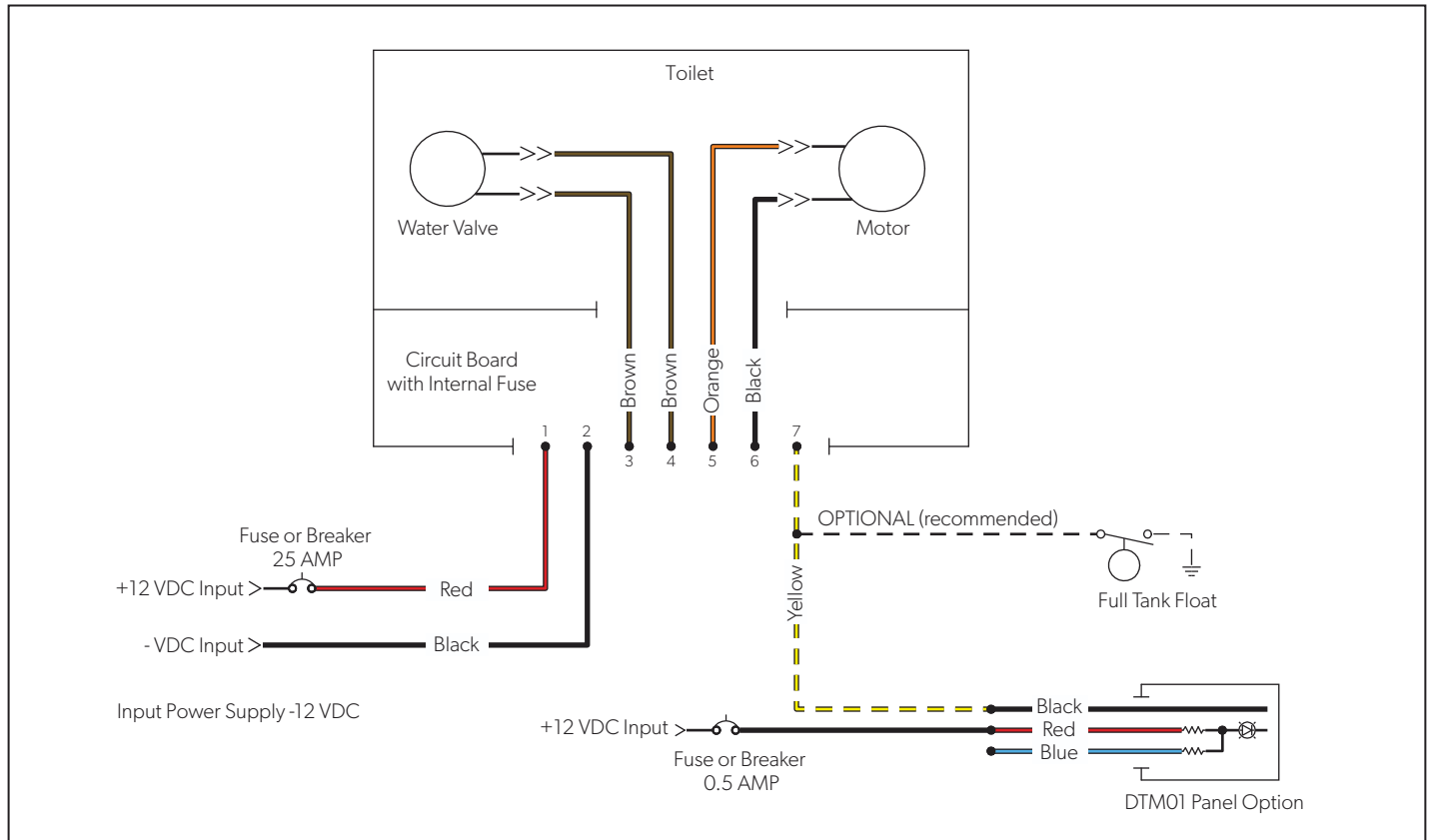


4 Rough-In Dimensions and Clearances

- ① Back wall
- ② Left wall
- ③ 10 in. (254 mm)
- ④ Floor flange
- ⑤ Right wall
- ⑥ 11 in. (279 mm)
- ⑦ 11 in. (279 mm)

5 Wiring Diagram

This section provides the MasterFlush wiring diagram.



5 Wiring Diagram

6 Installation

⚠ WARNING: ELECTRICAL SHOCK HAZARD.

Turn the power off before performing any electrical installation or maintenance work. Failure to obey this warning could result in death or serious injury.

NOTICE: Do **not** install the toilet in a shower. Be sure to follow the recommended installation requirements in "Specifications" on page 5.

NOTICE: Be sure the foot pedal, when depressed, will touch the same flat surface as the installed toilet.

NOTICE: Do **not** over-tighten the floor mounting nuts. To prevent any distortion of the base, alternate between sides when tightening.

NOTICE: When reconnecting the water supply line, do **not** over tighten.

This section describes the toilet preparation, removal, and installation processes.

6.1 Preparing to Install the Toilet

1. Verify the location meets all the recommended clearances for the new model. See Figure 3 & Figure 4.
2. Turn off the power to the toilet's location.
3. Turn off the water supply to the toilet's location.

6.2 Removing an Existing Toilet

i If a toilet removal is unnecessary, skip to "Installing the Toilet" on page 8.

1. Disconnect the power to the toilet.

2. Disconnect and drain the water supply line.
3. Remove the toilet hold-down bolts and screws.
4. Remove the toilet from the floor.
5. Remove and dispose of the old floor flange seal, the hold-down bolts, and any removal debris.

6.3 Installing the Toilet

This section describes the two toilet installation options.

6.3.1 Floor Flange Installation

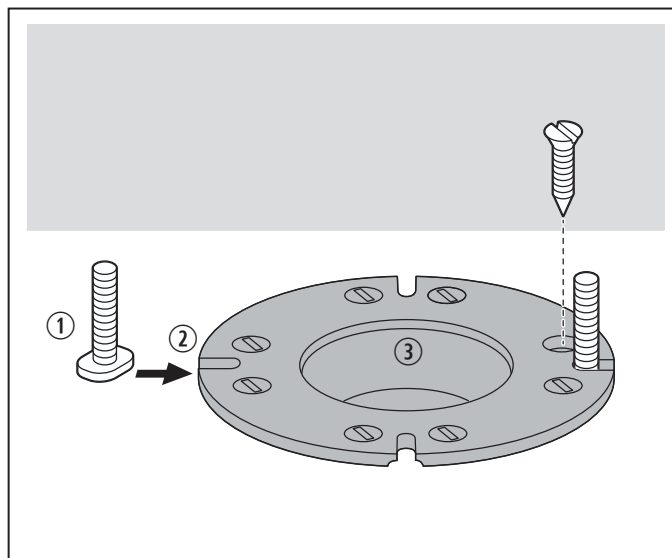
i To install the toilet farther from the holding tank, skip to “Remote Installation” on page 9.

NOTICE: When lowering the toilet onto the floor flange, the toilet **must** align so that the outlet at the base fits inside the floor flange outlet hole.

NOTICE: The floor flange **must** be secured to the floor with a minimum of four screws (eight is recommended).

Complete these steps to perform a floor flange toilet installation:

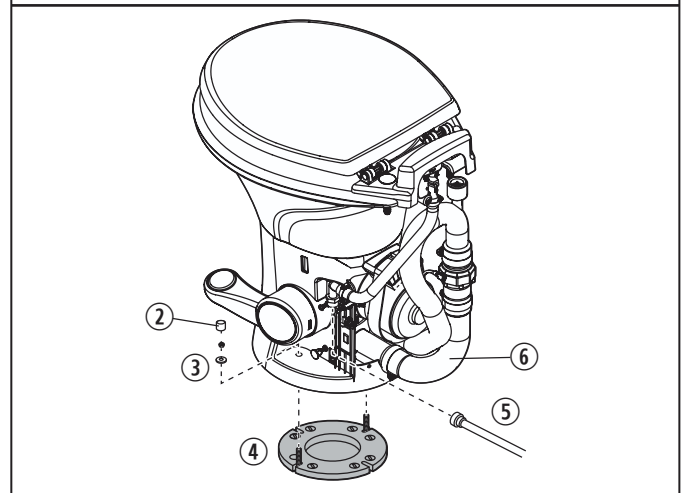
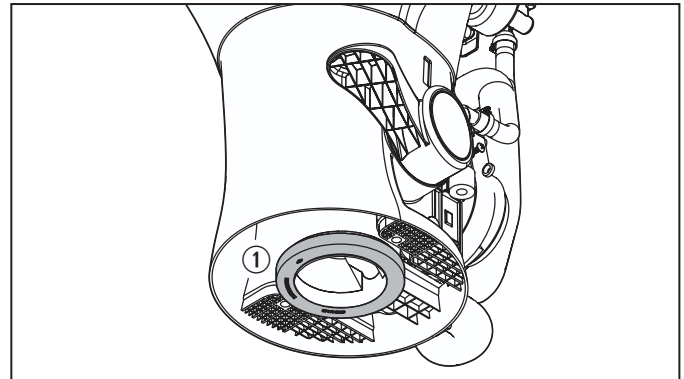
1. Verify the top surface of the floor flange is clean and free of any debris or sealant.



6 Installing the T-Bolts

- ① T-Bolts
- ② Slots
- ③ Floor Flange

2. Verify the new flange’s toilet mounting holes are at the correct location. See Figure 4 & Figure 6.
3. Secure the floor flange to the floor.
4. Insert the two T-bolts into the floor flange slots.



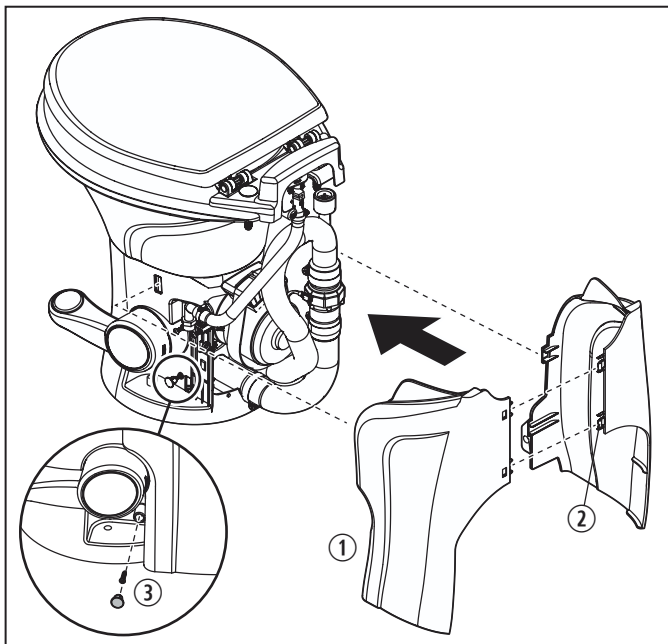
7 Installing the Floor Flange

- ① Floor Flange Seal
- ② Bolt Covers
- ③ Floor Mounting Nuts and Washers
- ④ Floor Flange
- ⑤ Water Supply Connector
- ⑥ Black Rubber Elbow

5. Verify the floor flange seal is installed onto the base of the toilet.
6. Carefully set the toilet over the floor flange.
7. Align the holes in the toilet base with the T-bolts as the toilet is lowered onto the floor flange.

i Do not rest the entire toilet base completely on the floor at this time. The floor seal must be compressed. Refer to the following steps.

8. Install the floor mounting nuts and washers onto the T-bolts.
9. Carefully torque the nuts to 30–40 in. lb (3.4–4.5 N·m). When tight, the base should be securely attached and flat against the floor.
10. Attach the bolt covers onto the nuts.
11. Reconnect the water supply line and torque the connection to 30–40 in. lb (3.4–4.5 N·m).
12. Connect the electrical power to the toilet according to the wiring diagram. See “Wiring Diagram” on page 7.
13. Turn on the electrical power to the toilet.
14. Turn on the water supply to the toilet.
15. Flush the toilet several times and check for leaks.



8 Attaching the Cover

- ① Pump/Base Cover ③ Screws
 ② Locking Tabs

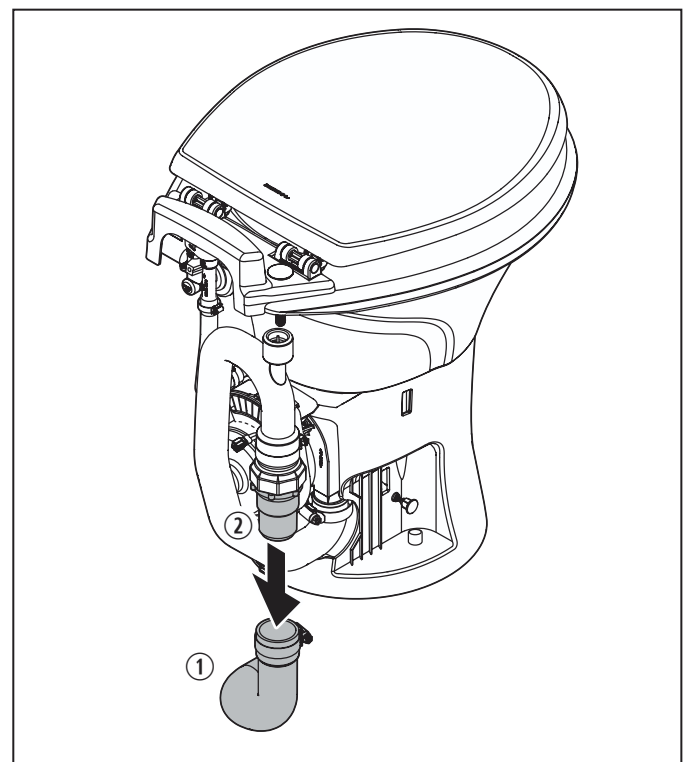
16. Attach the pump/base cover to the base using the screws at the sides of the toilet base and using the locking tabs at the sides and the back.

6.3.2 Remote Installation

i To install with a floor flange, return to “Floor Flange Installation” on page 8.

Complete these steps to perform a remote toilet installation.

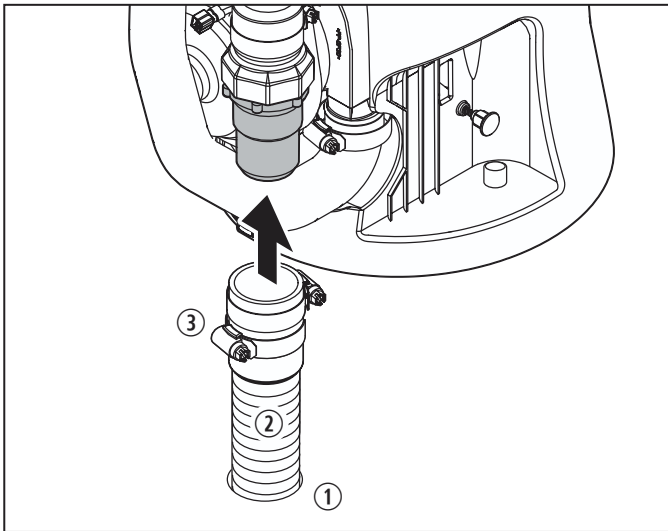
1. Place the toilet in the location where it will be installed.
2. Mark the fastener hole locations through the two holes in the toilet base.
3. Drill pilot holes for the two hex screw fasteners provided in the remote mounting hardware kit.



9 Removing the Black Elbow

- ① Black Rubber Elbow ② Check Valve

4. Remove the black rubber elbow from the check valve at the back of the toilet.



10 Routing Hoses

- ① Sanitation Hose
- ② Floor Access Hole
- ③ Hose Clamps

5. Drill access holes for the hoses if necessary.
- i** Plumbing can be routed either above- or below-floor as required.
6. Route either a 1.5 in. (38 mm) ID flexible sanitation hose or a 1.5 in. (38 mm) ID PVC or ABS pipe from the waste tank to the check valve.
7. Connect the flexible sanitation hose directly to the check valve with hose clamps.
8. Reconnect the water supply line and torque the connection to 30–40 in. lb (3.4–4.5 N·m).
9. Connect the electrical power to the toilet according to the wiring diagram. See “Specifications” on page 5.
10. Fasten the toilet to the floor using a hex-head screw on each side of the base.
11. Cover the fasteners with the plastic caps.
12. Turn on the electrical power to the toilet.
13. Turn on the water supply to the toilet.
14. Flush the toilet several times and check for leaks.
15. Attach the pump/base cover to the base using the screws at the sides of the toilet base and using the locking tabs at the sides and the back.

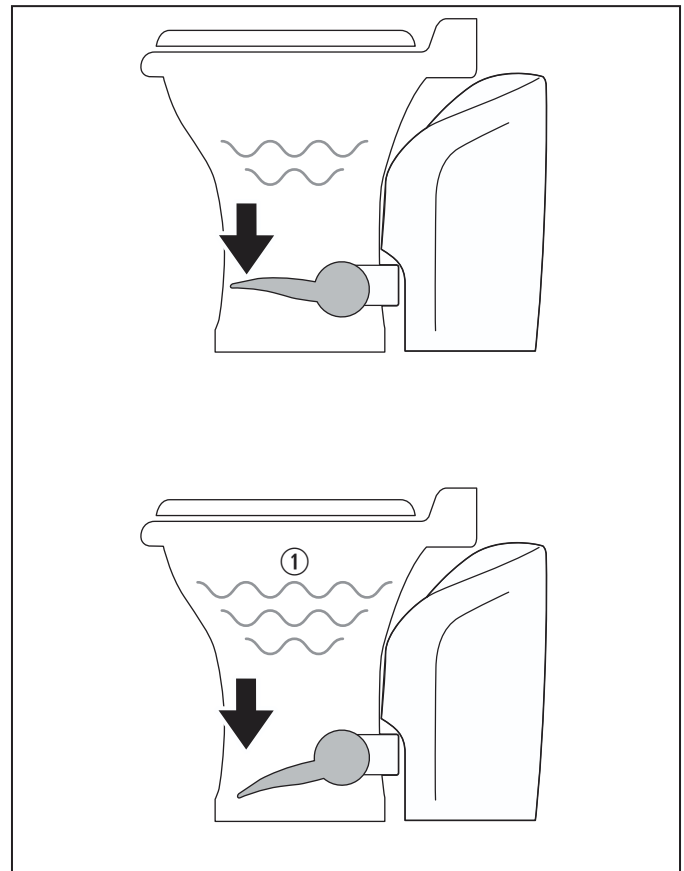
7 Operation

NOTICE: Make sure guests understand the toilet operation before use. Failure to follow these instructions could cause clogs or damage to the toilet or the system.

This section describes how to operate the toilet and use the different flush settings.

7.1 Adding Water to the Bowl

Adding water to an empty bowl helps prevent holding tank odors from entering the living space. Adding water is recommended prior to flushing solids and toilet paper.



11 Adding Water to the Bowl

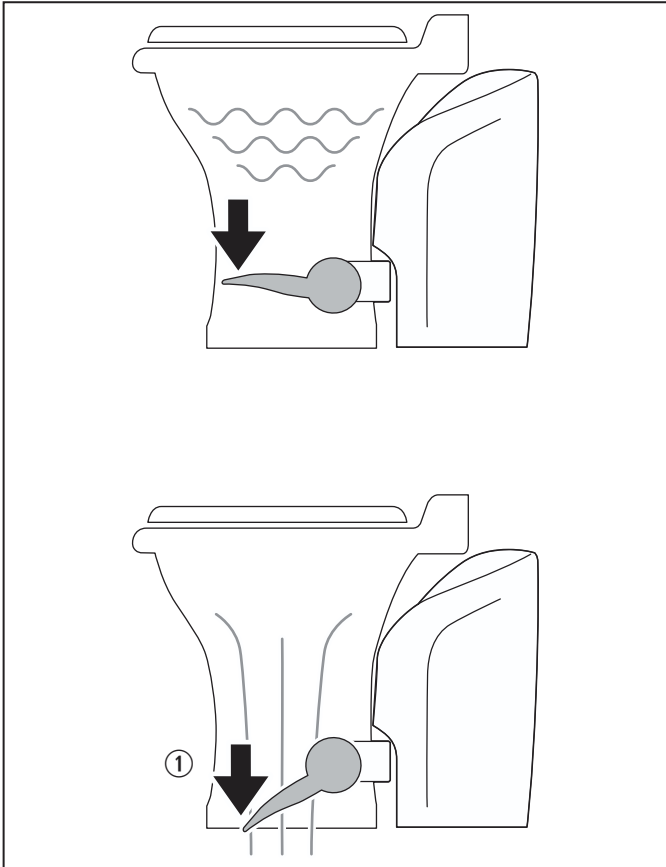
① Add Water

1. To add water to the bowl, press the flush pedal part-way down.
2. Release the pedal.

i To avoid a possible overflow, the water flow will stop automatically if the pedal is pressed too long.

7.2 Flushing the Toilet

NOTICE: Flush only water, bodily wastes, and rapid-dissolving toilet tissue. Do **not** flush foreign objects. Do **not** flush wet wipes, sanitary napkins, diapers, paper cups, cotton swabs, food, hair, or liquids such as oils or solvents. Failure to follow these instructions could cause clogging or damage to the toilet or the toilet system.



12 Flushing the Bowl

① Flush Bowl

1. To flush, press the flush pedal down completely.
2. Release the pedal.

This activates a powerful macerator pump that siphons the water and waste from the toilet bowl, and then macerates and propels the effluent to the holding tank.

i Residual water trickle in ceramic bowls: due to the integrated rim of this toilet bowl, water may continue to slowly trickle into the toilet bowl for up to 20 minutes after flushing. If the water trickle continues after 30 minutes, replace the water valve.

7.3 Changing the Flush Settings

This section describes two flush settings offered to help manage water usage and how to apply each setting.

7.3.1 Normal Flush

i The normal flush setting uses 0.8 gal (3 L) per flush and adds water to the bowl after every flush.

To change the flush setting from dry bowl to normal flush, press the flush pedal for ten seconds.

7.3.2 Dry Bowl Flush

i The dry bowl flush setting uses 0.2 gal. (0.8 L) per flush and does not add water to the bowl.

To change the flush setting from normal to dry bowl, press the flush pedal for approximately ten seconds.

7.4 Understanding the Full Tank Indicator

i If an optional tank monitor is not installed, skip to "Maintenance" on page 11.

When an optional tank monitor system is installed and operational, a solid red indicator light on the tank monitor control panel will indicate the holding tank is full. Flushing will be disabled to prevent overfilling the holding tank.

To restore electrical power to the toilet for flushing, empty or discharge the holding tank contents until the indicator is off. Additional features and indicators may be available based on the tank monitor model.

8 Maintenance

This section describes recommended cleaning and maintenance procedures.

8.1 Cleaning

NOTICE: Do **not** clean the toilet with abrasive cleaners, caustic chemicals, or lubricants and cleaners that contain alcohols or petroleum distillates. Using them could cause damage to internal seals.

For routine cleaning, use Dometic® Toilet Bowl Cleaner. If this cleaner cannot be found in your area, contact Dometic for your nearest dealer. If the cleaner is not available, use almost any non-abrasive bathroom and toilet bowl cleaner. Follow the label instructions.

8.2 Routine Maintenance

This section describes routine maintenance procedures.

8.2.1 Monthly


This section describes monthly maintenance.

1. Inspect the toilet, plumbing, plumbing connections, wires, and wire connections.
2. Open and close all plumbing valves.
3. Check any in-line water filters for blockage.

8.2.2 Yearly

This section describes yearly maintenance.

Check the water valve filter.

-  Check the water valve filter if the water flow into the toilet becomes insufficient.


8.2.3 Extended Periods of Non-Use

NOTICE: The macerator toilet and sanitation system should be protected if the toilet will not be used for more than two weeks, especially in hot weather.

NOTICE: Do **not** use detergent that contains bleach or environmentally harmful substances.

Complete these steps to protect the toilet before storage or before two or more weeks of non-use.

1. Flush the toilet in normal mode and add 4 oz (118 ml) of liquid biodegradable laundry detergent.
2. Flush the toilet at least five times.
3. Turn off the water supply to the toilet.
4. Flush the toilet three times without water.

-  This procedure will minimize any remaining water in the macerator pump.

5. Turn off the power to the toilet.

6. If the system will be subjected to freezing temperatures, continue with "Winterizing" on page 12.

8.3 Winterizing

NOTICE: This toilet is **not** intended for use when exposed to temperatures below freezing.


NOTICE: Never leave the vehicle unoccupied for extended periods of time with the municipal water supply or the onboard water pump turned on when there is a possibility of freezing temperatures.

NOTICE: Never use automotive-type antifreeze (ethylene glycol) in freshwater systems. Use only nontoxic antifreeze (propylene glycol) designated for potable water systems. See the vehicle owner's manual.

At the end of each camping season, or when the vehicle is stored for long periods of time when the toilet may be exposed to freezing temperatures, the system should be winterized by using potable water-safe antifreeze.

Complete these steps to winterize the toilet:

1. Drain the potable water tank and empty the waste holding tank.
2. Add freshwater antifreeze to the potable water tank according to the antifreeze manufacturer instructions.
3. Flush the toilet several times until the antifreeze mixture has flowed completely through the toilet, the macerator pump, and the holding tank.
4. Turn off the power to the toilet.

-  Each installation is different, so the antifreeze mixture amounts may vary. User discretion is required to assure adequate protection.

9 Troubleshooting

The following table describes common occurrences that are not a result of defective workmanship or materials.

| Symptom | Possible Cause | Service Instruction |
|--|---|--|
| The flush cycle operates correctly but the water in the bowl empties slowly or not at all. | The discharge piping is pinched or kinked. | Check the discharge piping. |
| | The trap or the discharge piping is blocked. | Plunge the line or squeeze the trap assembly to clear the blockage. |
| | The macerator pump is blocked. | Clear the blockage. |
| The macerator pump makes unusually loud noise or continually trips the breaker. | There is foreign material in the pump chamber. | Clear the foreign material from the pump chamber. |
| The flush cycle is not activated after pressing the flush pedal. | Electrical power to the toilet is off or disrupted. | Check the wiring and circuit breakers or fuses. |
| | The flush pedal is malfunctioning. | Replace the switch in the flush pedal. |
| | The circuit board is malfunctioning. | Replace the circuit board. |
| | If an optional tank monitor is installed: the holding tank is full and the signal from the tank has shut down the electrical power to the toilet. | Empty the holding tank. |
| Insufficient or no water enters the toilet bowl. | The water supply line is pinched or kinked. | Check the water supply line. |
| | The screen in the water valve is blocked. | Clear the blockage at the water valve. |
| | The water valve is malfunctioning. | Replace the water valve. |
| Water trickles slowly into the toilet bowl for longer than 30 minutes after flushing. | The water valve is malfunctioning. | Replace the water valve. |
| The anti-siphon valve leaks water. | The valve is obstructed, or the valve or valve seat is faulty. | Manipulate the valve tab. Pour hot water on the valve to clean it. If unresolved, replace the trap assembly. |

10 Disposal



Place the packaging material in the appropriate recycling waste bins, whenever possible. Consult a local recycling center or specialist dealer for details about how to dispose of the product in accordance with all applicable national and local regulations.

11 Warranty Information

Limited ONE-Year Warranty

LIMITED ONE-YEAR WARRANTY AVAILABLE AT WWW.DOMETIC.COM/WARRANTY.

IF YOU HAVE QUESTIONS, OR TO OBTAIN A COPY OF THE LIMITED WARRANTY FREE OF CHARGE, CONTACT:

DOMETIC CORPORATION
CUSTOMER SUPPORT CENTER
1120 NORTH MAIN STREET
ELKHART, INDIANA, USA 46514
1-800-544-4881 OPT 1