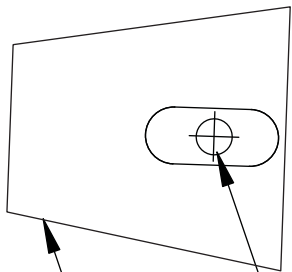
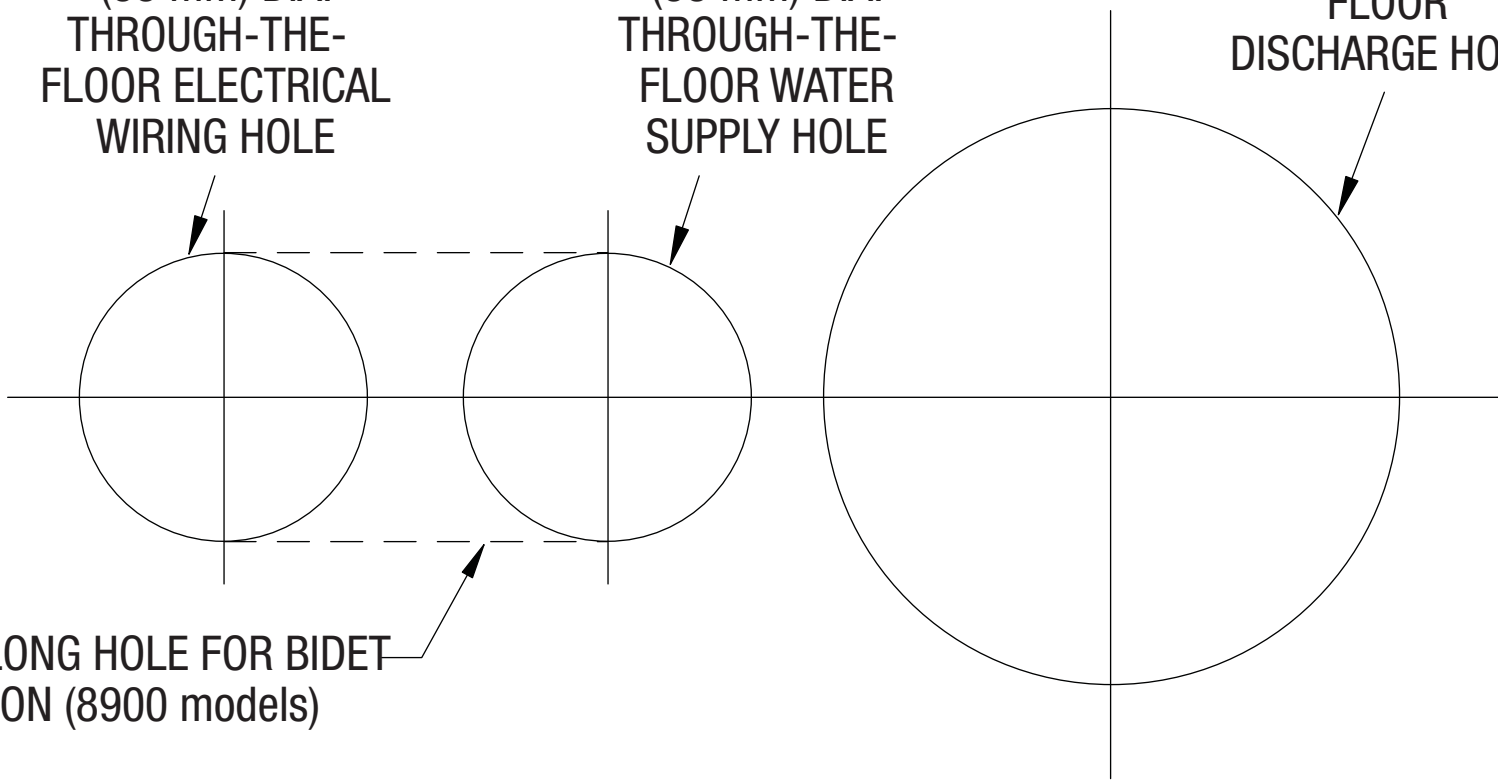


TOWARD  
WALL

1-1/2 IN.  
(38 mm) DIA.  
THROUGH-THE-  
FLOOR ELECTRICAL  
WIRING HOLE

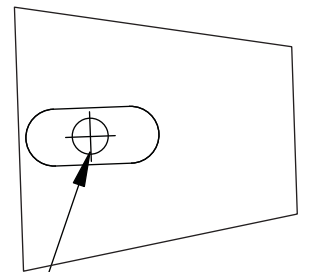
1-1/2 IN.  
(38 mm) DIA.  
THROUGH-THE-  
FLOOR WATER  
SUPPLY HOLE

3 IN. (76 mm) DIA.  
THROUGH-THE-  
FLOOR  
DISCHARGE HOLE



3/16 IN.  
(5 mm) DIA.  
HOLE

MOUNTING BRACKET  
OUTLINE -  
MARK FOUR CORNERS  
WITH CENTER PUNCH

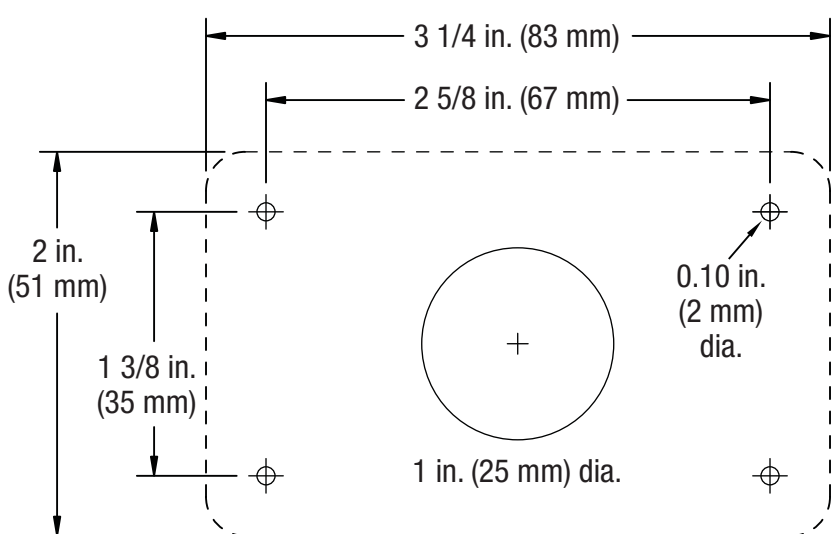


3/16 IN.  
(5 mm) DIA.  
HOLE

FRONT EDGE  
OF TOILET

## 8900/8100 SERIES LOW-PROFILE TOILET FLOOR MOUNTING TEMPLATE

Cut along dotted line. Place this edge even with mark at front of toilet.



## Dometic MasterFlush Wall Switch MOUNTING TEMPLATE (8900 models)

2 1/2 in. (64 mm) clearance  
behind wall surface is required.